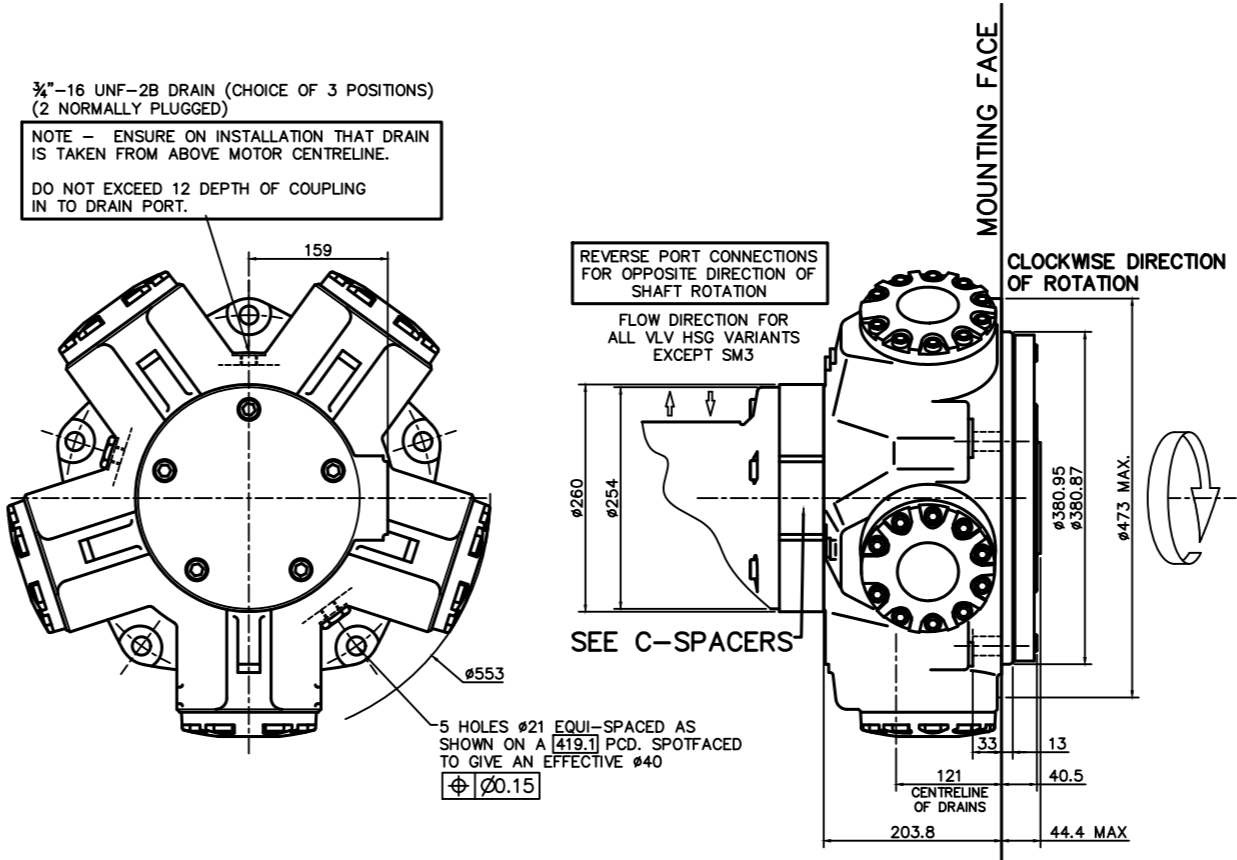


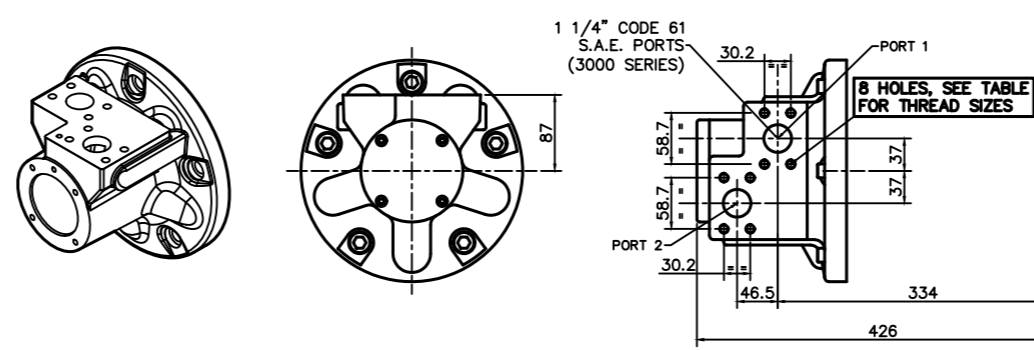
# HMC125



## IEWS ON ARROW 'A'

**F3/FM3 -**  
3" VALVE HOUSING WITH 1 1/4" SAE 4-BOLT FLANGES

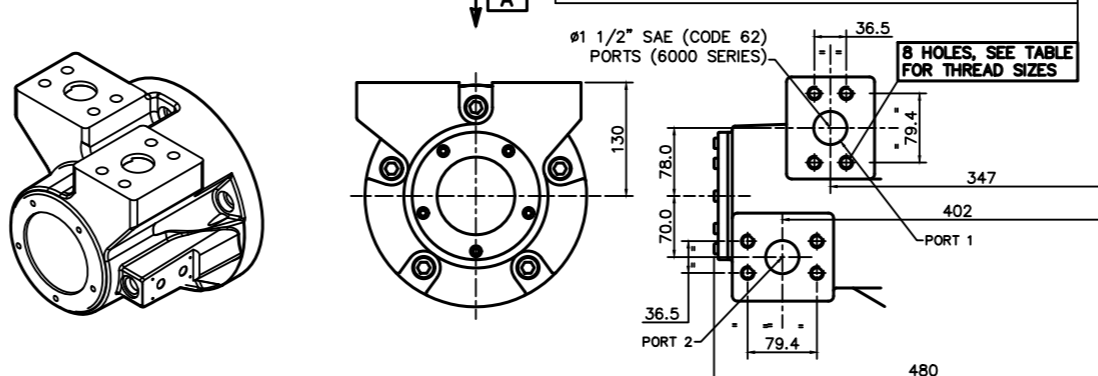
PORT FLANGE BOLT TAPPING SIZE -  
F3: 7/16"-14 UNC-2B X 27 FULL THREAD DEPTH  
FM3: M12 X P1.75 X 27 FULL THREAD DEPTH



## IEWS ON ARROW 'A'

**F4/FM4 -**  
4" VALVE HOUSING WITH 1 1/2" SAE 4-BOLT FLANGES

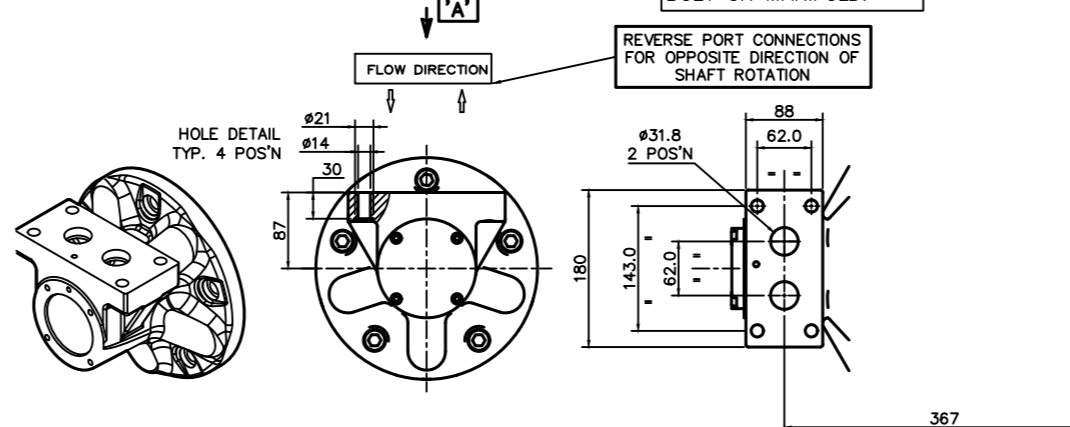
PORT FLANGE BOLT TAPPING SIZE -  
F4: 5/8"-11 UNC-2B X 35 FULL THREAD DEPTH  
FM4: M16 X P2 X 35 FULL THREAD DEPTH



## IEWS ON ARROW 'A'

**SM3 -**  
3" VALVE HOUSING FOR BOLT ON MANIFOLD.

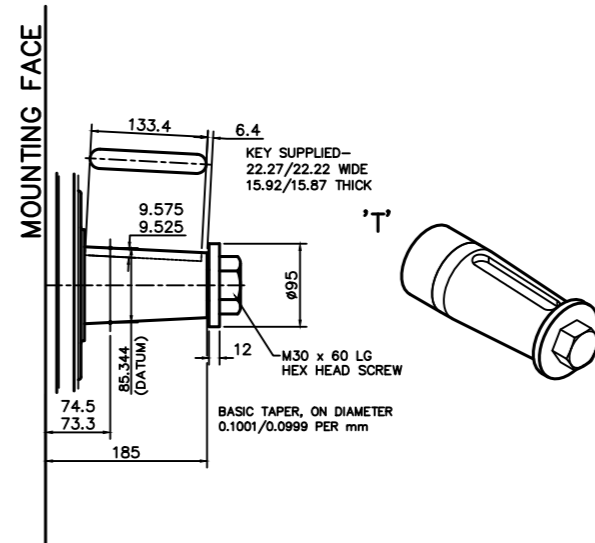
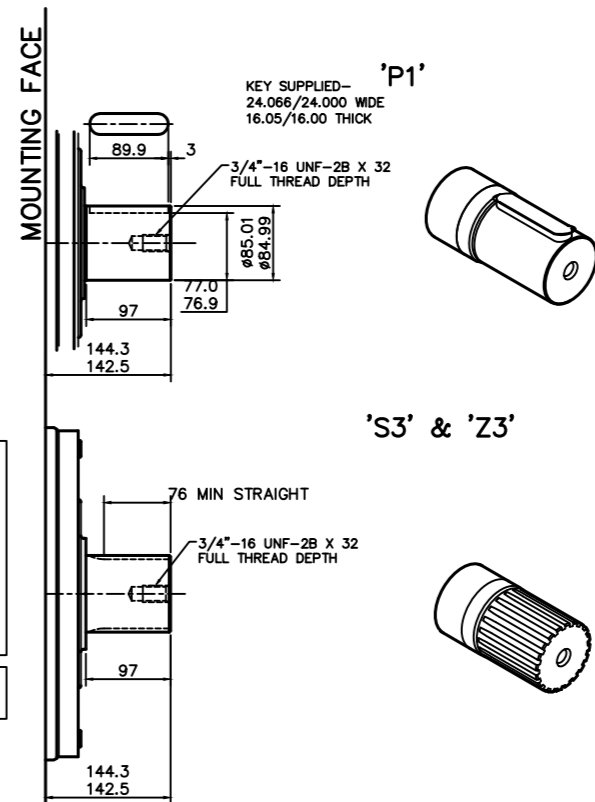
REVERSE PORT CONNECTIONS FOR OPPOSITE DIRECTION OF SHAFT ROTATION



## SPLINE DATA

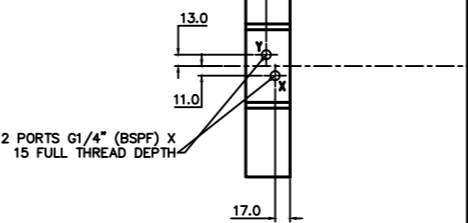
**'S3'**  
TO BS 3550 (ANSI B92.1, CLASS 5)  
FLAT ROOT SIDE FIT, CLASS 1  
PRESSURE ANGLE: 30°  
NUMBER OF TEETH: 20  
PITCH: 6.712  
MAJOR DIAMETER: 87.953/87.825  
FORM DIAMETER: 80.264  
MINOR DIAMETER: 78.465/78.925  
PIN DIAMETER: 8.128  
DIAMETER OVER PINS: 97.054/97.030

**'Z3'**  
DN 5480 W55 x 3 x 27 x 7h

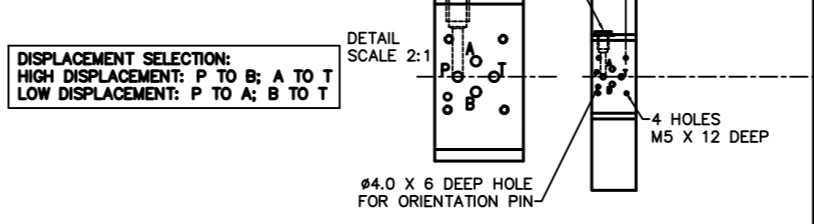


## MOUNTING FACE

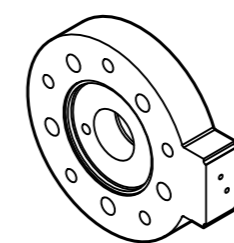
DISPLACEMENT SELECTION (MA REMOTELY LOCATED VALVE)  
HIGH DISPLACEMENT: P TO X, Y TO T  
LOW DISPLACEMENT: P TO X, Y TO T  
DISPLACEMENT SELECTOR VALVE IS NOT SUPPLIED WITH MOTOR; SPECIFY & ORDER SEPARATELY



MOUNTING INTERFACE FOR DIRECTIONAL CONTROL VALVE TO ISO 4401 SIZE G3/ANSI B37.1M SIZE D03  
DISPLACEMENT SELECTOR VALVE IS NOT SUPPLIED WITH MOTOR; SPECIFY & ORDER SEPARATELY



TYPE X DISPLACEMENT CONTROL



TYPES C & CS DISPLACEMENT CONTROL

