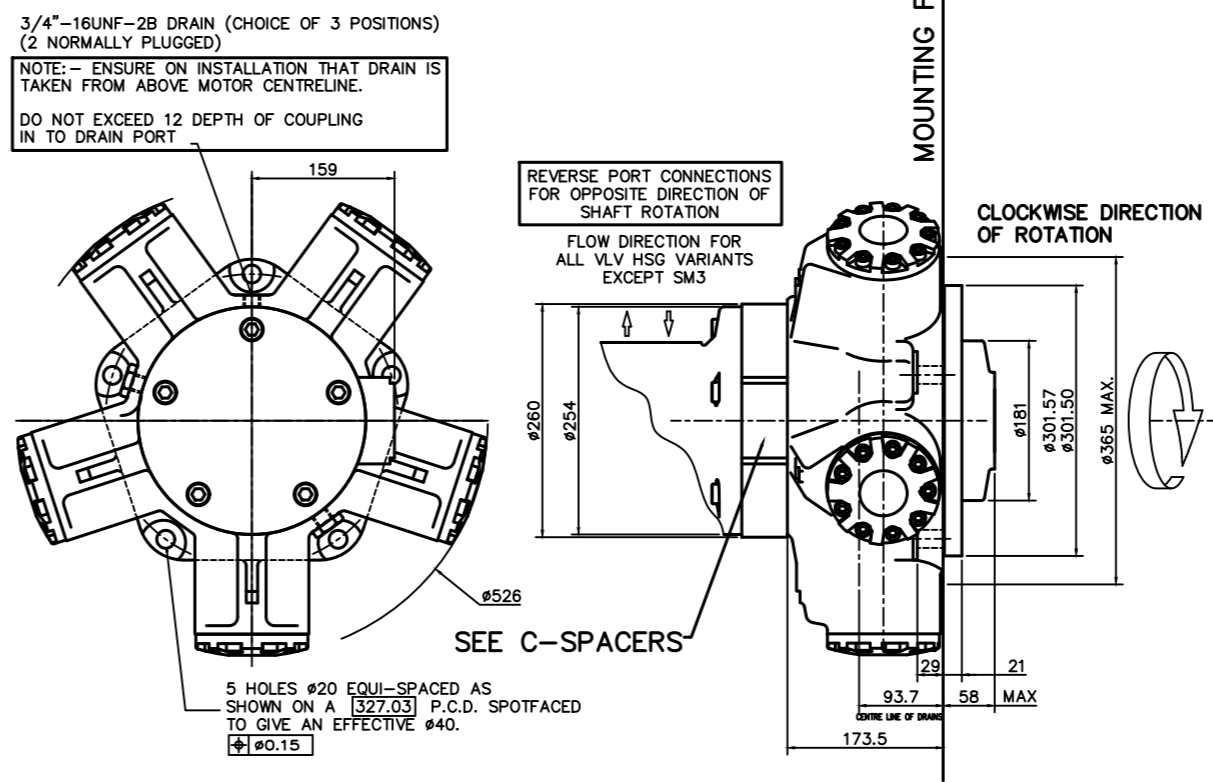


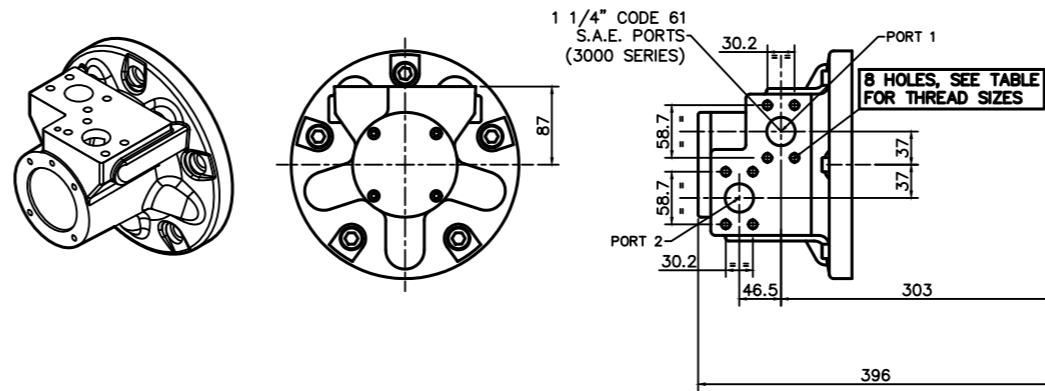
HMC080



IEWS ON ARROW 'A'

F3/FM3 - 3\"/>

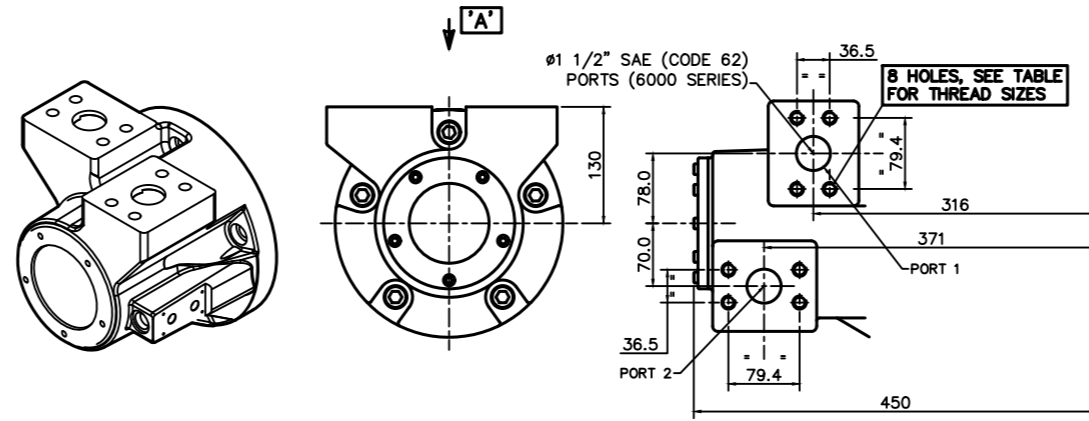
PORT FLANGE BOLT TAPPING SIZE - F3: 7/16\"/>



IEWS ON ARROW 'A'

F4/FM4 - 4\"/>

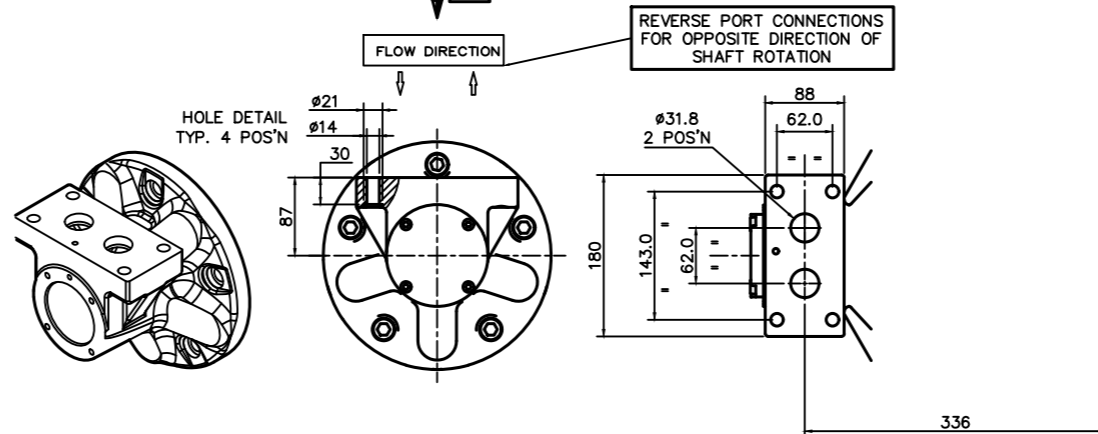
PORT FLANGE BOLT TAPPING SIZE - F4: 5/8\"/>



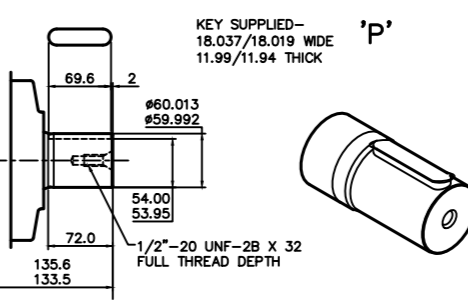
IEWS ON ARROW 'A'

SM3 - 3\"/>

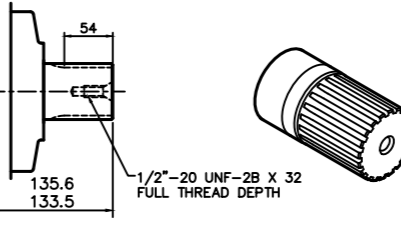
REVERSE PORT CONNECTIONS FOR OPPOSITE DIRECTION OF SHAFT ROTATION



OUNTING FACE



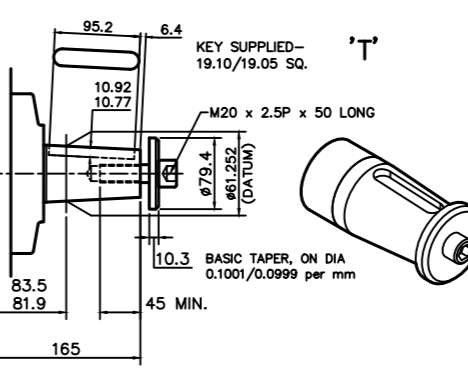
's' & 'z'



SPLINE DATA

Table with spline data: S: TO BS 3550 (ANSI B92.1 CLASS 5), FLAT ROOT SIDE FIT, CLASS 1, PRESSURE ANGLE 30°, NUMBER OF TEETH 14, PITCH 6.712, MAJOR DIAMETER 62.53/62.425, FORM DIAMETER 55.052, MINOR DIAMETER 54.084/53.525, PIN DIAMETER 6.128, DIAMETER OVER PINS 71.593/71.544. T: DN 5480 W70 x 3 x 30 x 22 x 7h.

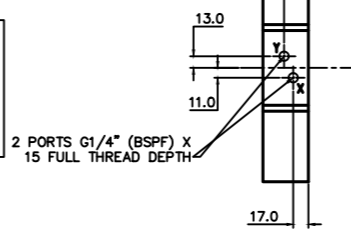
OUNTING FACE



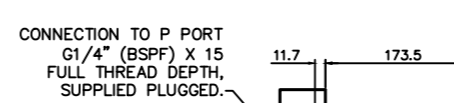
OUNTING FACE

TYPE X DISPLACEMENT CONTROL

DISPLACEMENT SELECTION (VA REMOTELY LOCATED VALVE*) HIGH DISPLACEMENT: P TO X; X TO T LOW DISPLACEMENT: P TO Y; Y TO T *DISPLACEMENT SELECTOR VALVE IS NOT SUPPLIED WITH MOTOR; SPECIFY & ORDER SEPARATELY



OUNTING INTERFACE FOR DIRECTIONAL CONTROL VALVE* TO ISO 4401 SIZE 03/ANSI B83.7M SIZE D03 *DISPLACEMENT SELECTOR VALVE IS NOT SUPPLIED WITH MOTOR; SPECIFY & ORDER SEPARATELY



DISPLACEMENT SELECTION: HIGH DISPLACEMENT: P TO B; A TO T LOW DISPLACEMENT: P TO A; B TO T

YPES C & CS DISPLACEMENT CONTROL

