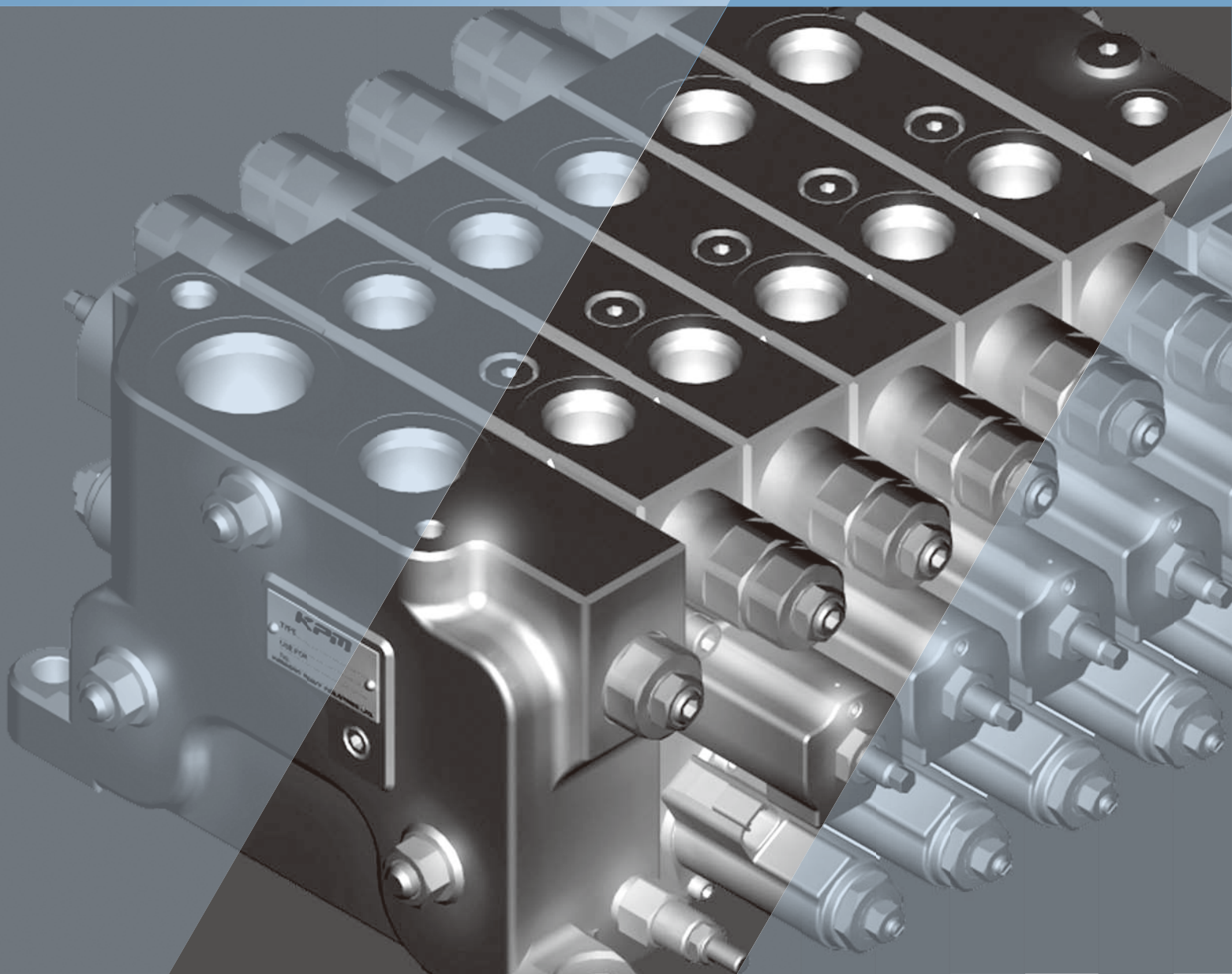


Load Sensing Control Valve **KLSV18**



CONTENTS

| | |
|---|----|
| I . Applications / Product Usage | 2 |
| II . Safety Precautions | 3 |
| III . Handling Precautions | 4 |
| IV . Conversion Factors and Definition | 5 |
| | |
| 1. General Information of the Products | |
| 1-1. Ordering Code | 7 |
| 1-2. Configuration | 7 |
| 1-3. Specifications | 9 |
| 2. Inlet Section | |
| 2-1. Function | 10 |
| 2-2. Specifications | 11 |
| 2-3. Technical Information | 12 |
| 3. Spool Section | |
| 3-1. Function | 13 |
| 3-2. Specifications | 14 |
| 3-3. Technical Information | 15 |
| 3-4. Optional Function | 16 |
| 4. End Cover | |
| 4-1. Function | 17 |
| 4-2. Specifications | 17 |
| 5. Adjustment Instruction | 18 |
| 6. Dimensions | |
| 6-1. General Dimension (with all option) | 19 |
| 6-2. Port size | 20 |
| 7. Ordering Sample | 21 |
| Inquiry Form | 22 |

I . Applications / Product Usage

The following must be taken into consideration before use.

1. The operating condition of the products shown in this catalog varies depending upon each application. Therefore, the suitability of the products use must be made by the designer of the hydraulic system and/or the person in charge of determining the machine's specifications after analysis and testing.
The product specification shall be determined based on the latest catalog and technical documents. The system must be designed taking into account the possibility of machine failure, and insuring that all safety, warning, and application requirements are met.
2. For the proper use of the products, descriptions given in the SAFETY PRECAUTIONS must be observed.
3. The technical information in this catalog represents typical characteristics and performance of the products as of the published date.
4. If the products are used in the following conditions or environments, please consult Kawasaki prior to implementation.
 - (1) Unspecified conditions or environments
 - (2) Atomic power, aviation, medical treatment, and/or food production
 - (3) Use likely to affect human beings or assets significantly or requiring particular safety.
5. The information described in this catalog is subject to change without notice. For updated information, please consult Kawasaki.

II. Safety Precautions

Before using the product, you **MUST** read the catalog and **MUST** fully understand how to use the product. To use the product safely, you **MUST** carefully read all **Warnings and Cautions** in this catalog.

1. Cautions related to operation



- Use safety equipment to avoid the injury when you operate the product.



- Pay close attention while handling the product to avoid injury that may be caused by the heavy weight of the product or improper handling posture.



- Do not step on, hit, drop or give strong outside force to the product, as one of these actions may cause failure of operation, damage, or oil leakage.



- Wipe off any oil on the product or floor completely, as the oil creates slippery conditions that may result in dropping the product or personal injury.

2. Warnings and Cautions related to installation and removal of the product



- Installation, removal, plumbing, and wiring must be done by a qualified technician.



- Make sure that the hydraulic power unit is turned off and that the electric motor or engine has completely stopped before starting installation or removal. You must also check that the system pressure has dropped to zero.



- Turn off the power before wiring or performing other duties related to the electric power to avoid risk of electric shock.



- Clean the threads and mounting surface completely to prevent damage or oil leakage caused by insufficient tightening torque or broken seal.



- Use the specified bolts and maintain the specified tightening torque when you install the product. Usage of unauthorized bolts, lack of torque or excess torque may create problems such as failure of operation, damage, and oil leakage.

3. Warnings and Cautions for operation



- Always equip the product with anti-explosion protection in the circumstances of possible explosion or combustion.



- Shield rotating parts, such as the motor and pump shaft, to avoid injuries.



- Stop operation immediately if you find unusual noise, oil leakage or smoke, and fix properly. Continuing operation may cause damage, fire or injury.



- Make sure that plumbing and wiring are correctly connected and tightened before operation.



- Use the product according to the specifications provided in the catalog, drawings and specification sheets.



- The product may become hot during operation.



- Use the proper hydraulic oil and maintain the filtration at the recommended level to prevent premature wear and damage.

4. Cautions related to maintenance



- Never modify the product without approval from Kawasaki.



- Disassembly of the product may void the warranty.



- Keep the product clean and dry when storing or transporting.



- The seals may need to be replaced if the product has been stored for an extended period of time.

Ⅲ. Handling Precautions

1. Operating fluid and Temperature range

1) Operating fluid

Values shown in this catalog are based upon using mineral oil based anti-wear hydraulic fluid. If using special fluid (phosphate ester, water-glycol, fatty acid ester, etc), please consult Kawasaki for instructions prior to use.

2) Viscosity and Temperature range

Allowable viscosity and temperature range is shown in the table below. However, to minimize both oil and seal deterioration maximum operating temperature of 60 °C should be considered.

| | Allowable range |
|-------------------------------------|-------------------|
| Viscosity [mm ² /s(cSt)] | 5~500 |
| Temperature [°C (°F)] | -20~+90 (-4~+194) |

2. Cleanliness

For satisfactory service life and performance, operating fluid should be continuously filtered to maintain the required cleanliness level of ISO4406 -/18/15 (NAS1638 Class9).

Clean fittings, hose and pipe thoroughly to prevent any debris from entering into the hydraulic system.

3. Installation

Flatness of mounting face on which the valve is installed shall be 0.1mm or less.

Mount the valve on the machine frame by using three bolts of size M12 or ½-13UNC.

The drain piping must be connected directly to the tank. The piping size shall be equal to or larger than the port size.

Do not apply any form of external force to the solenoid valves.

IV. Conversion Factors and Definition

◆ Conversion Factors

| Item | Formula | Note |
|----------|---------------------|-----------|
| Pressure | 1 MPa = 145 psi | |
| Flow | 1 L/min = 0.264 gpm | US gallon |
| Length | 1 mm = 0.0394 in | |
| Mass | 1 kg = 2.21 lbf | |
| Torque | 1 Nm = 0.738 lb ft | |

◆ Definition

P = Pump port of the Inlet section

LS = Load sensing port of the Inlet section

T = Tank port of the Inlet section

ΔP = Differential pressure between P and LS port

A, B = Work port A or B of the Spool section

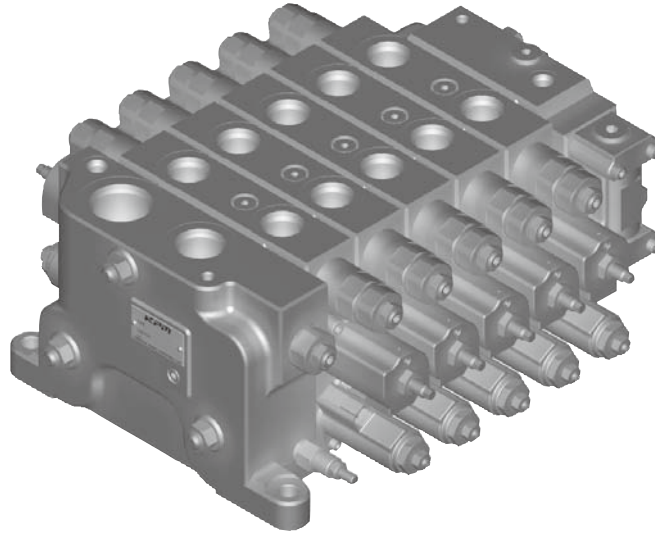
Pa, Pb = Pilot pressure port (Hydraulic control)

Pi = Pilot pressure port for external supply (Electro-Hydraulic control)

Dr = Drain port of the End cover

KLSV18

Load Sensing Control Valve



■ Specifications

Size : 18

Maximum Pressure

Inlet section : 40 MPa (5,800psi)

Spool section : 40 MPa (5,800psi)

Maximum Flow

Inlet section : 240 L/min (63.4gallon/min)

Spool section : 180 L/min (47.5gallon/min)*

(*Differential pressure $\Delta P = 1.5\text{MPa}$)

■ General Descriptions

KLSV series is valve which consists of several sections.

This control valve is designed to control actuators on construction and industrial vehicles.

Closed center load sensing system can be realized in combination with a variable displacement pump.

Superior control is achieved with various functions such as anti-saturation.

■ Features

1. Superior control performance

Flow can be controlled independently of the load pressure even in multiple control.

Anti-saturation function enables a constant flow rate among each section.

2. Energy saving

Low pressure loss is achieved with optimum design.

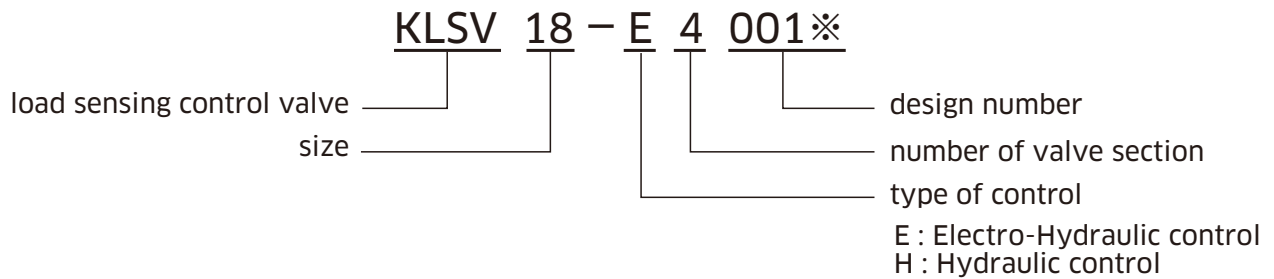
3. High pressure

High pressure capability enables the hydraulic system more efficient and compact.

1

General Information of the Products

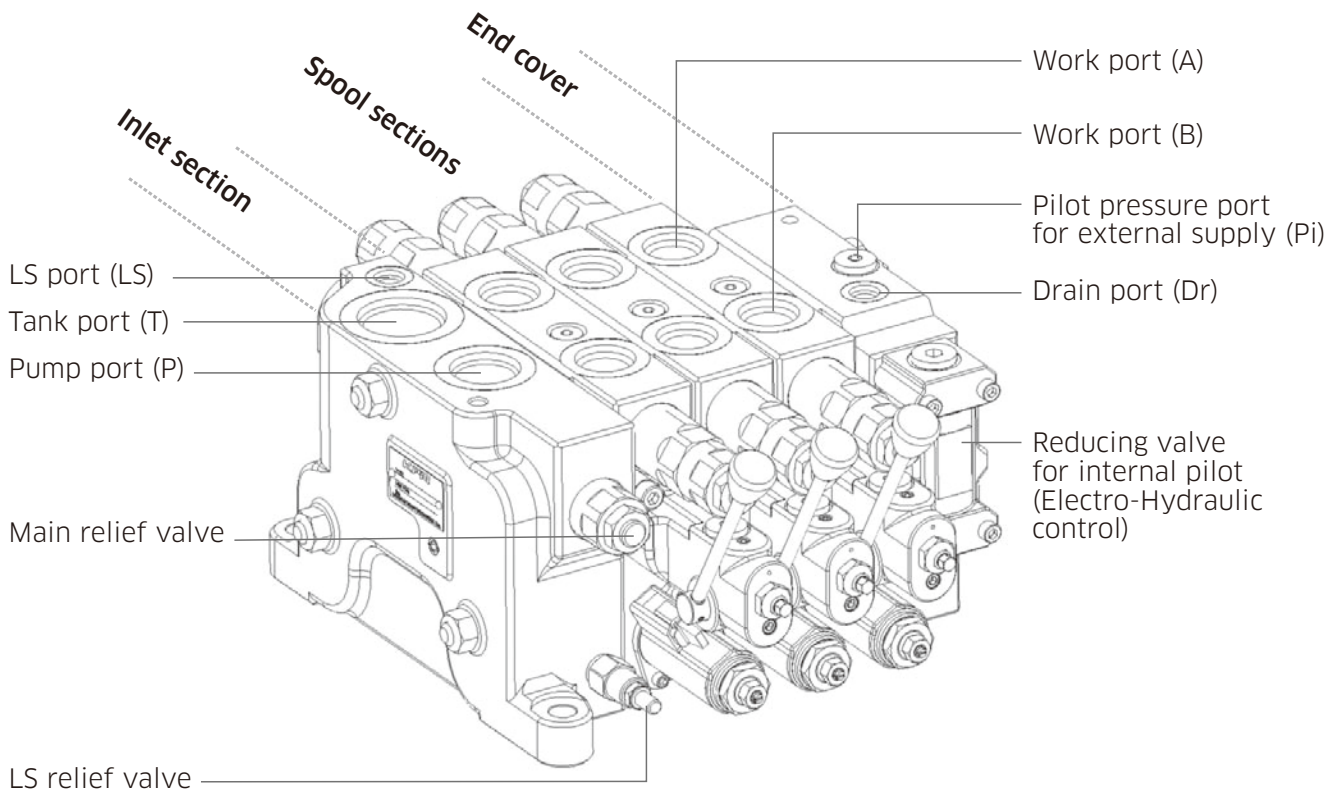
1-1 Ordering Code



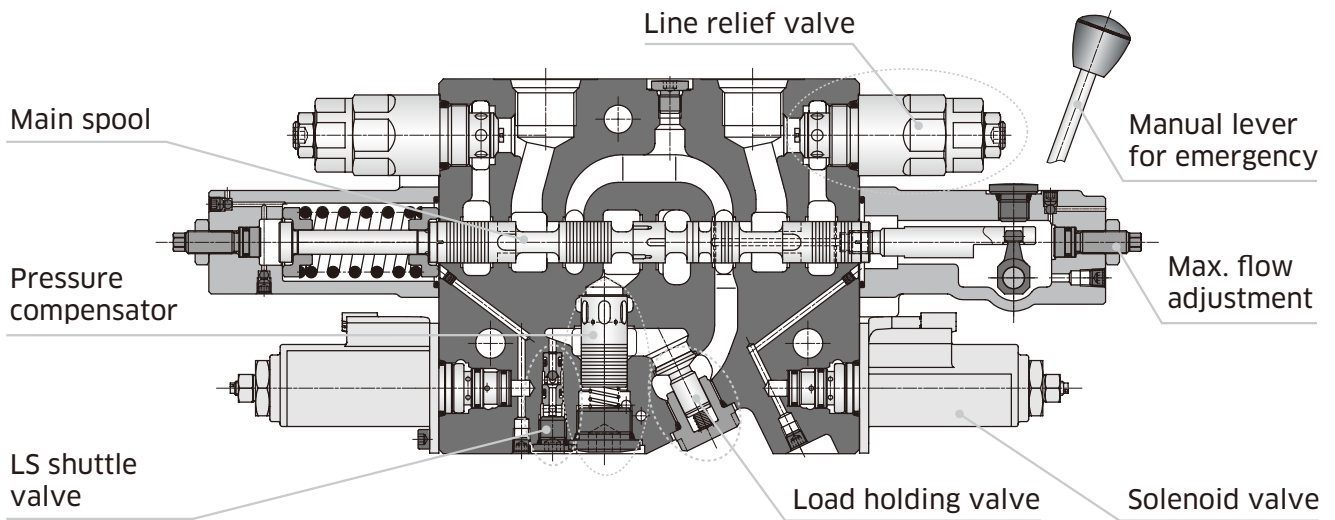
1-2 Configuration

The KLSV load sensing valve consists of three sections, one inlet section, a number of spool sections and one end cover.

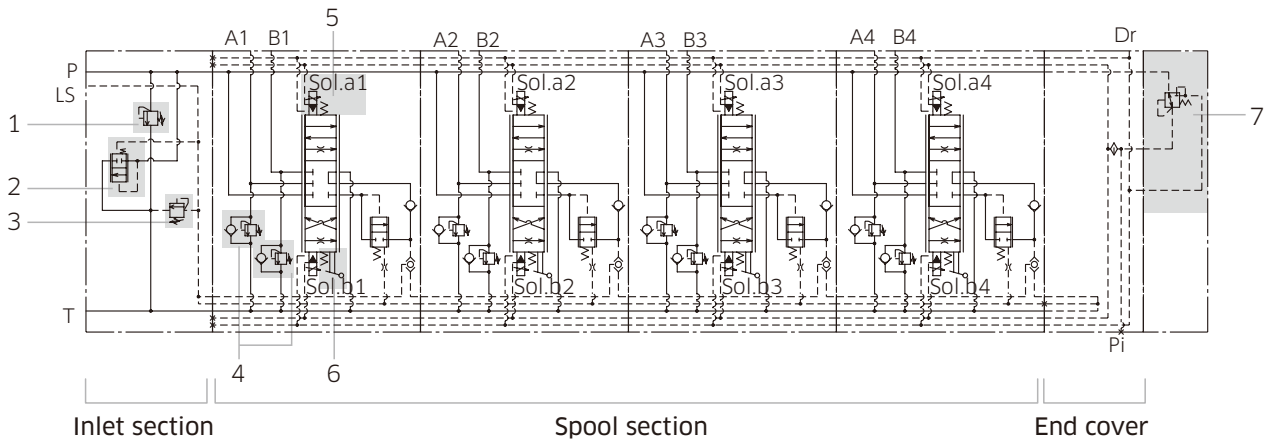
◆ General drawing



◆ Structure of the Spool section



◆ Hydraulic circuit



◆ Inlet section

1. Main relief valve
2. Unloading valve
3. LS relief valve

◆ Spool section

4. Line relief valve
5. Solenoid valve for Electro-Hydraulic control
6. Manual lever for emergency

◆ Other function

7. Reducing valve for internal pilot (Electro-Hydraulic control)

1. General Information of the Products

1-3 Specifications

◆ General specifications

| Model | | KLSV18 |
|---|---------------|---------------|
| Maximum pressure | MPa (psi) | 40 (5,800) |
| Maximum flow L/min (gallon/min) | P port | 240 (63.4) |
| | A, B port | 180 (47.5) *1 |
| Leakage (A, B port → T port) at 7 MPa, 30 mm ² /s (at 1,020 psi, 30 cSt) cm ³ /min (in ³ /min) | | 25 (1.5) |
| Pilot pressure for Hydraulic control | MPa (psi) | 0~3 (0~435) |
| External pilot pressure for Electro-Hydraulic control | MPa (psi) | 3~5 (435~725) |
| Maximum number of Spool sections | | 9 |
| Mass | kg (lbs) | |
| | Inlet section | 16 (35) *2 |
| | Spool section | 12 (26) *3 |
| | End cover | 12 (26) *4 |

* 1 : At $\Delta P = 1.5$ MPa

* 2 : In case the main relief valve, LS relief valve, and unloading valve are attached.

* 3 : In case two port relief valves and solenoid valves are attached.

* 4 : In case the reducing valve for internal pilot is attached.

◆ Electrical specifications

| | | | |
|------------------------------|----------|------------------------|------------------------|
| Rated current | mA | 700 | 1600 |
| Coil resistance value (20°C) | Ω | 17.5 | 3.3 |
| Recommended dither condition | | 85Hz 300mAp-p at 400mA | 85Hz 600mAp-p at 900mA |
| Waterproofing property | | IP65 | |
| Connector type | | Deutsch DT04-2P | |

2 Inlet Section

2-1 Function

There are Pump port (P), LS port (LS), and Tank port (T) in the Inlet section.

The valves (Main relief valve, LS relief valve, Unloading valve) which are needed for the control system are attached.

Main relief valve is standard installation.

LS relief valve and unloading valve can be attached in combinations shown in the following table according to the control system design.

In case the pump delivers minimum standby flow at neutral condition, the unloading valve should be attached.

| | Type A | Type B | Type C | Type D |
|---------------------|--------|--------|--------|--------|
| Main relief valve * | ● | ● | ● | ● |
| LS relief valve | | ● | | ● |
| Unloading valve | | | ● | ● |
| Hydraulic circuit | | | | |

* See page 12 for the technical information about main relief valves.

2. Inlet Section

2-2 Specifications

◆ General specifications

| | | | |
|------------------|--------------------|---------|------------|
| Maximum pressure | MPa (psi) | P port | 40 (5,800) |
| | | LS port | 40 (5,800) |
| | | T port | 1 (145) |
| Maximum flow | L/min (gallon/min) | P port | 240 (63) |

◆ Main relief valve

| | | |
|--------------------|--------------------|---------------------|
| Set pressure range | MPa (psi) | 18~40 (2,470~5,800) |
| Maximum flow | L/min (gallon/min) | 300 (79) |

* Main relief valve setting can be adjusted.
Refer to page.18 for "Adjustment instruction".

◆ LS relief valve

| | | |
|--------------------|--------------------|--------------------|
| Set pressure range | MPa (psi) | 7~40 (1,020~5,800) |
| Maximum flow | L/min (gallon/min) | 45 (12) |

* LS relief valve setting can be adjusted.
Refer to page.18 for "Adjustment instruction".

◆ Unloading valve

| | | |
|-------------------|--------------------|-------------------|
| Cracking pressure | MPa (psi) | 2.7~3.3 (392~479) |
| Maximum flow | L/min (gallon/min) | 50 (13) |

2-3 Technical Information

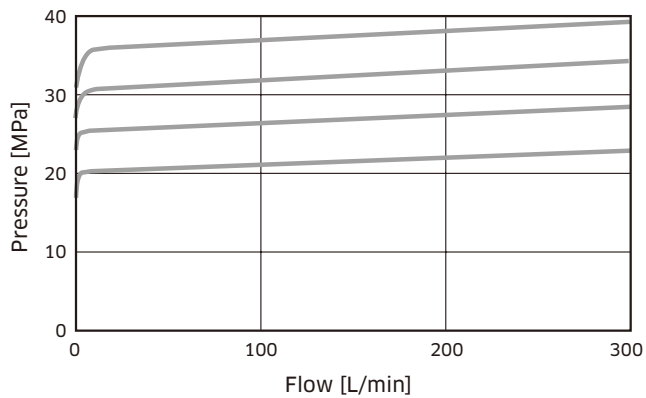
Main relief valve is attached as standard.

Main relief valve can be adjusted to the required pressure. Please specify the requirement with the inquiry form in page.22.

Detail for adjustment is shown in page.18.

Override characteristic of the main relief valve is shown below.

◆ Override Characteristic (Main relief valve)



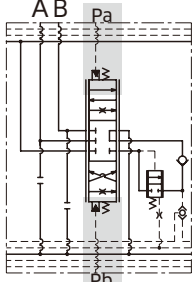
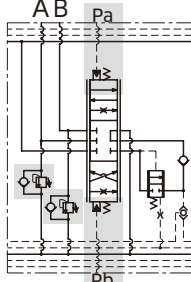
3

Spool Section

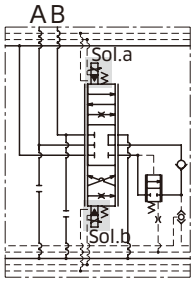
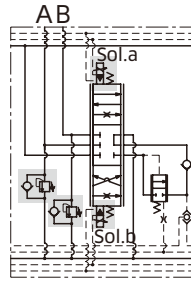
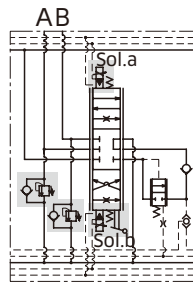
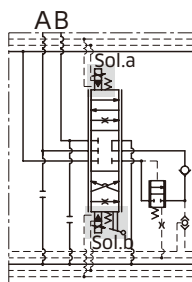
3-1 Function

Spool section mainly consists of a main spool and pressure compensator, a load holding valve, etc. Position of main spool is switched with Hydraulic pilot control or Electro-Hydraulic control, and oil is supplied to an actuator from a work port A or B. The line relief valve can be attached on each work port if needed. Type of control can be chosen from two types shown below. Typical combinations of functions are shown below (Type A~F). The line relief valve can be attached on each work port A and B as required. Manual lever for emergency is available when the Electro-Hydraulic control is used.

◆ Hydraulic control

| Code | Type A | Type B |
|----------------------|---|---|
| Standard *1 | ● | ● |
| Line relief valve *2 | | ● |
| Hydraulic circuit |  |  |

◆ Electro-Hydraulic control

| Code | Type C | Type D | Type E | Type F |
|-------------------------------|---|---|--|---|
| Standard *1 | ● | ● | ● | ● |
| Line relief valve *2 | | ● | ● | |
| Manual lever for emergency *3 | | | ● | ● |
| Hydraulic circuit |  |  |  |  |

* 1 : It mainly consists of a main spool, pressure compensator, LS shuttle valve and load holding valve.

* 2 : See to page.16 for the characteristic of the Line relief valve.

* 3 : See to page.16 for the Manual lever for emergency.

3-2 Specifications

◆ General specifications

| | | | |
|---|--------------------|-------------|------------|
| Maximum pressure | MPa (psi) | A, B port | 40 (5,800) |
| | | Pa, Pb port | 3 (435) |
| Maximum flow at $\Delta P = 1.5$ MPa | L/min (gallon/min) | A, B port | 180 (48) |

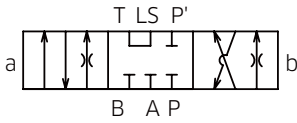
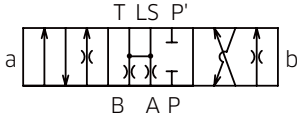
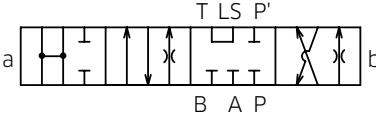
◆ Line relief valve

| | | | | |
|-----------------------|--------------------|---------------------|------------------------|------------------------|
| Pressure setting code | | 100 | 200 | 350 |
| Set pressure range | MPa (psi) | 3~15 (435~2,180) | 10~21 (1,450~3,050) | 17~40 (2,470~5,800) |
| Maximum flow | L/min (gallon/min) | 300 (79) | | |

Refer to page.18 for "Adjustment Instruction".

◆ Spool type

Each spool used with a spool section can be chosen from three types shown below.

| Type of the Spool | Symbol | Description |
|--|---|--|
| Three position spool (Standard) |  | All port closed at neutral position. Mainly for a cylinder as actuator. |
| Three position spool (Motor with restriction) |  | A, B port are drained to tank under some restriction at neutral position. Mainly for a motor as actuator. |
| Four position spool with float function |  | All port closed at neutral position. Float function can be included in "a" side or "b" side. At floating condition the work port A and B are connected to T port. |

For other type please consult with Kawasaki.

3. Spool Section

3-3 Technical Information

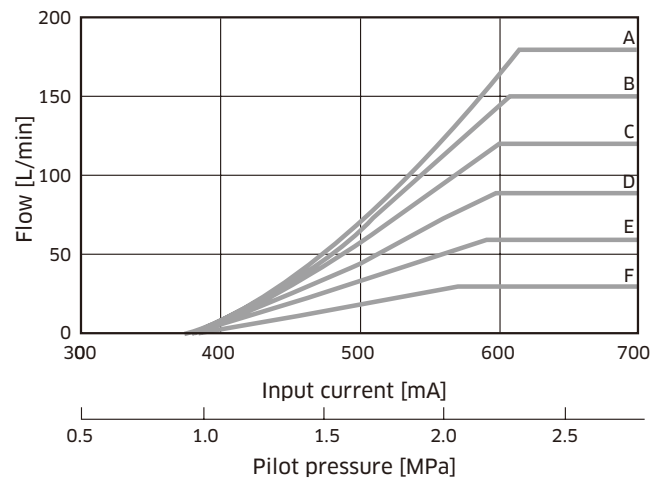
◆ Flow control characteristics

Maximum flow of each spool section can be chosen from six types shown in the following table. Relationship between flow rate and pilot pressure or input current to the solenoid valves is as shown below. Please choose the optimal spool in consideration of necessary flow rate and the control sensitivity. Maximum flow of each port can be individually chosen from the table. Maximum flow can be adjusted by adjustment mechanism of each section. For detail of adjustment see page.18.

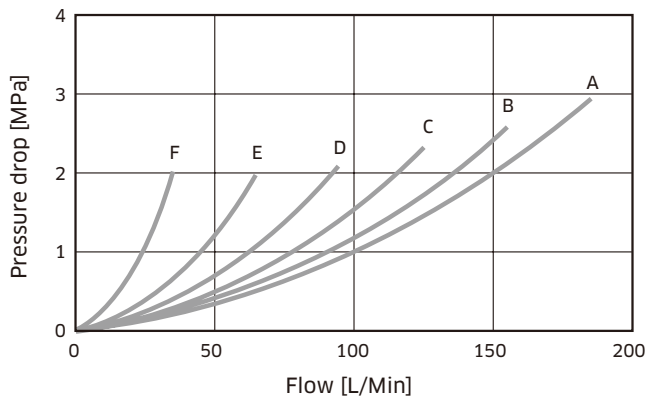
Table. Maximum flow of the spool

| Spool code | Spool maximum flow (L/min) |
|------------|----------------------------|
| A | 180 |
| B | 150 |
| C | 120 |
| D | 90 |
| E | 60 |
| F | 30 |

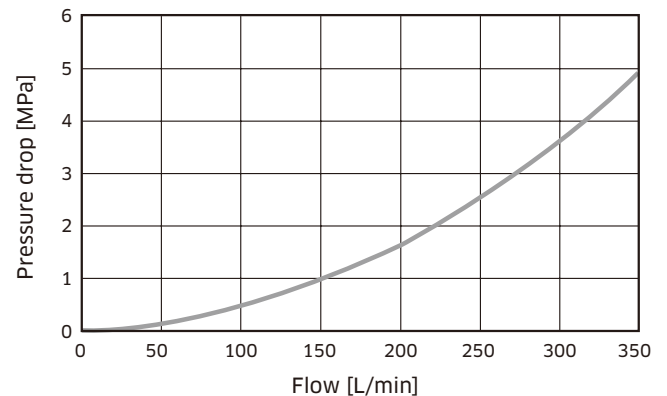
[Note]
Flow control characteristic is at $\Delta P = 1.5$ MPa.



◆ Pressure drop [P to A, B]



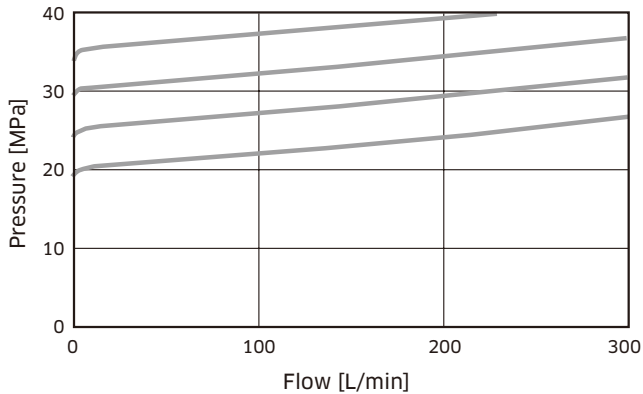
◆ Pressure drop [A, B to T]



3-4 Optional Function

Line relief valve and manual lever for emergency can be attached as required.

◆ Characteristics of Line relief valve



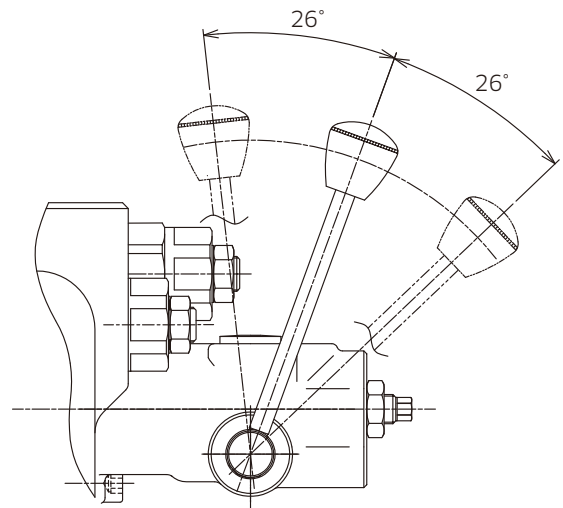
Line relief valve can be adjusted to the required pressure for each work port.
Please specify the requirement with the inquiry form in page.22.
Detail for adjustment is shown in page.18.

◆ Manual lever for emergency

Manual lever for emergency is only available in case of Electro-Hydraulic control.

Manual lever for emergency is attached in order to move a spool manually when electrical system is failed. It is not the purpose to operate manually at all time.

The movement range of the lever is shown in the figure right. Please secure full valve mounting space for there to be no interference with the machine structure and to be able to perform manual operation at the time of emergency satisfactorily.



| | |
|-----------------------------------|-------|
| Allowable maximum operating force | 245 N |
| Operating angle | ±26° |

4

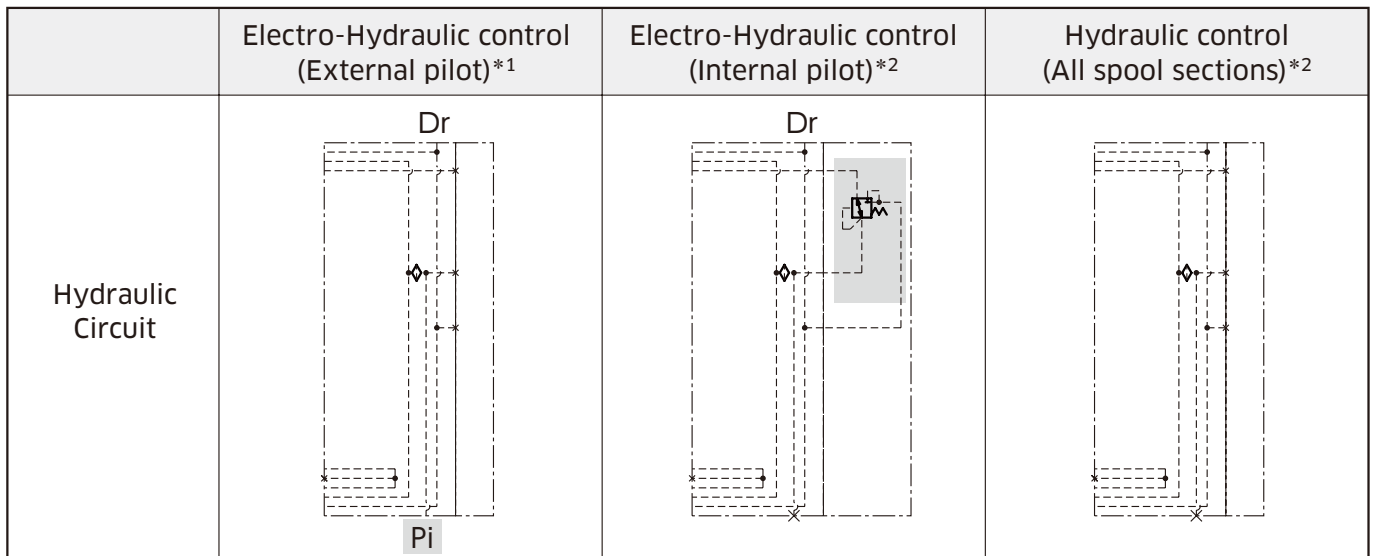
End Cover

4-1 Function

End cover is a cover attached at the end face of final section.

In case of Electro-Hydraulic control (External pilot), primary proportional solenoid valve pressure is supplied to Pi port of End cover.

In case of Electro-Hydraulic control (Internal pilot), the reducing valve for reducing pump pressure to to primary pressure for the solenoid valve is attached.



* 1 : In case of Electro-Hydraulic control (External pilot), pilot pressure needs to be supplied to Pi port.

* 2 : In case of Electro-Hydraulic control (Internal pilot) and Hydraulic control, Pi port is not used.

4-2 Specifications

◆ In case of Electro-Hydraulic control (External pilot)

| | | |
|---|-----------|--------------------|
| Dr port pressure | MPa (psi) | 0.1 (14.5) maximum |
| External pilot pressure for Electro-Hydraulic control | MPa (psi) | 3.0~5.0 (363~725) |

◆ In case of Electro-Hydraulic control (Internal pilot)

| | | |
|------------------|-----------|--------------------|
| Dr port pressure | MPa (psi) | 0.1 (14.5) maximum |
|------------------|-----------|--------------------|

* Pi port is not used.

◆ In case of Hydraulic control (All spool sections)

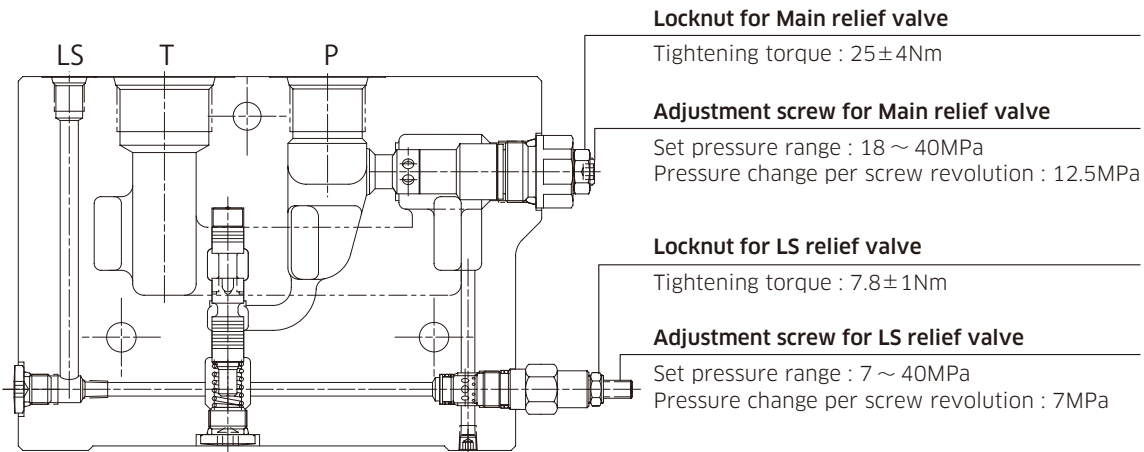
| | |
|-------------------------------------|---|
| Dr and Pi ports are not to be used. | — |
|-------------------------------------|---|

5 Adjustment Instruction

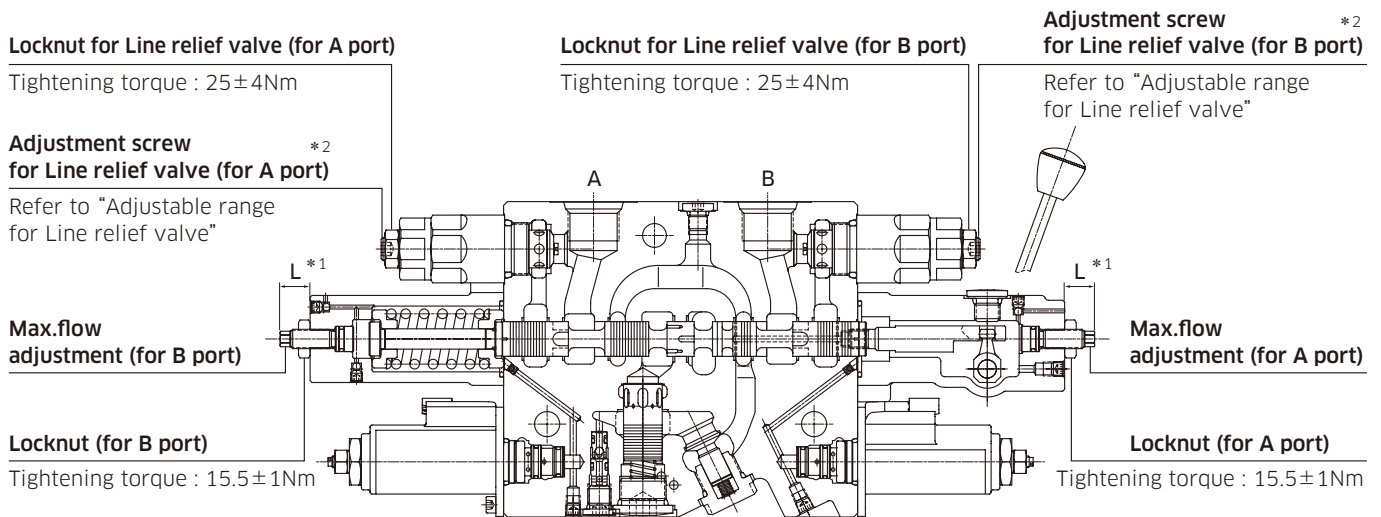
For Inlet section and spool section the maximum flow and relief valve setting pressure can be adjusted to the required specification.

Tightening torque and adjustable pressure range are shown below.

◆ Inlet section



◆ Spool section



* 1 : Dimension "L" shall be adjusted as follows.

| | |
|------------------------------------|--------------------|
| With Manual lever for emergency | : $L \geq 14$ mm |
| Without Manual lever for emergency | : $L \geq 22.5$ mm |

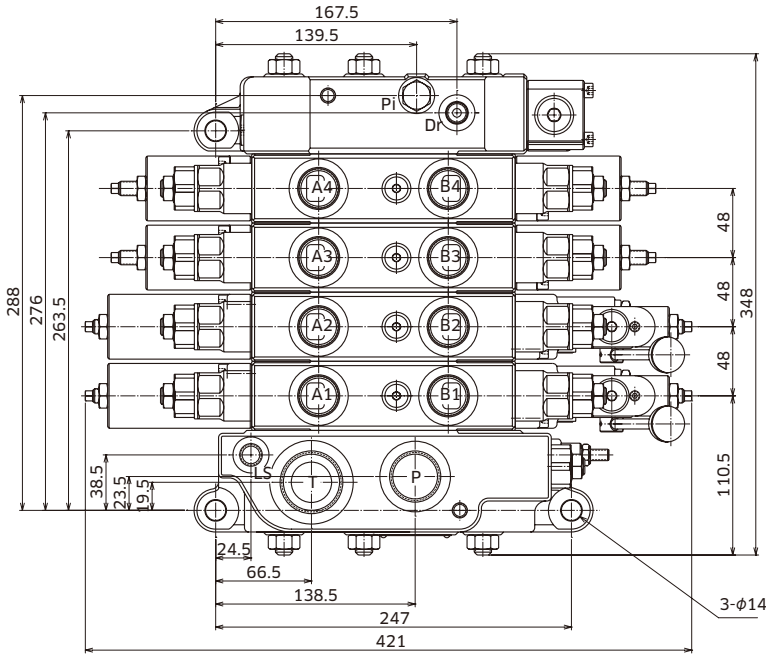
* 2 : Adjustable range for Line relief valve

| Pressure setting code | 100 | 200 | 350 |
|--------------------------------------|---------------------|------------------------|------------------------|
| Set pressure range (MPa) | 3~15 (435~2,180) | 10~21 (1,450~3,050) | 17~40 (2,480~5,800) |
| Maximum flow L/min (gallon/min) | 300 (79) | | |
| Pressure change per screw revolution | 6.1 | 5.9 | 11.7 |

6

Dimensions

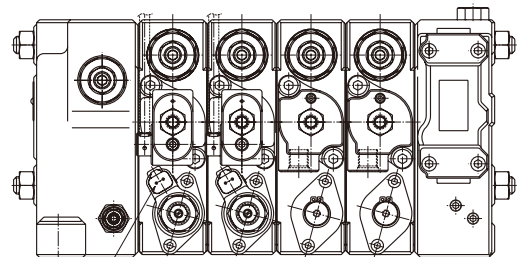
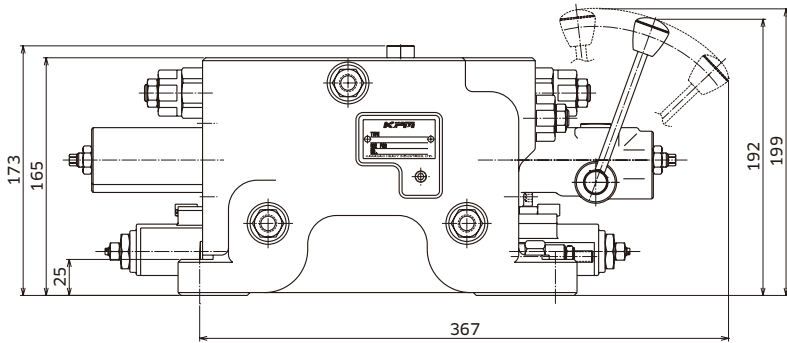
6-1 General Dimensions (with all option)



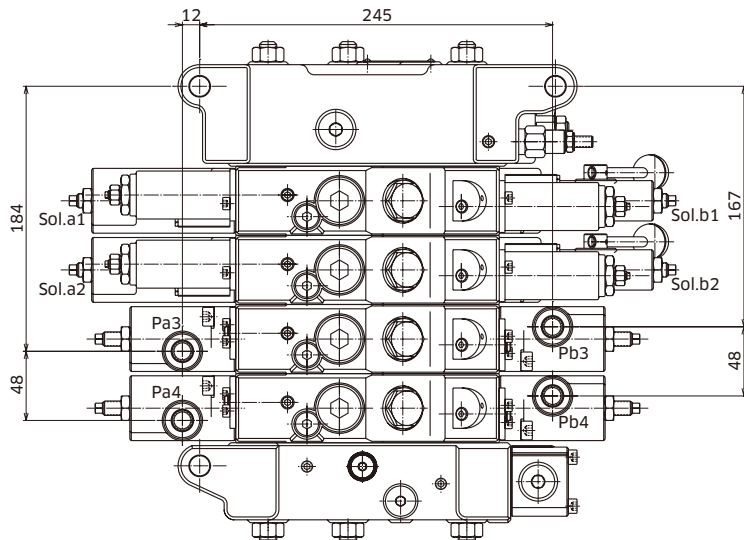
Inlet section :
 Type D
 (Main relief valve + LS relief valve +
 Unloading valve)

Spool section :
 • Type of control
 Hydraulic control : 2
 Electro-Hydraulic control : 2
 • Option : Manual lever for emergency

End cover :
 Reducing valve for internal pilot



Deutsch DT04-2P



6-2 Port size

| ID | Port name | Thread port type (O-ring boss) | |
|---------|--|--------------------------------|---------|
| A#/B# | Work port | 1-1/16-12UN-2B SAE J1926-1 | G 3/4 |
| P | Pump port | 1-5/16-12UN-2B SAE J1926-1 | G 1 |
| T | Tank port | 1-5/8-12UN-2B SAE J1926-1 | G 1-1/4 |
| Dr | Drain port | 9/16-18UNF-2B SAE J1926-1 | G 1/4 |
| LS | LS port | 9/16-18UNF-2B SAE J1926-1 | G 1/4 |
| Pi | Pilot pressure port for external supply (Electro-Hydraulic control) | 9/16-18UNF-2B SAE J1926-1 | G 1/4 |
| Pa#/Pb# | Pilot pressure port (Hydraulic control) | 9/16-18UNF-2B SAE J1926-1 | G 1/4 |

7

Ordering Sample

- Inlet Section
Function Refer to page.10
- Spool Section
Type of Control Refer to page.13
Type of Main spool Refer to page.14
Spool Code Refer to page.15
Line relief valve setting Refer to page.14
- Specification for Solenoid valve (For Electro-Hydraulic) Refer to page.9
- Thread port type (O-ring boss) Refer to page.20

Sample



KLSV18 Inquiry Form

Please fill in the bold line, or tick in the box.

Date: yyyy/mm/dd
 Type of Application: Wheel loader
 Customer Name: * * * * *
 Machine Model: * * * * *

Inlet Section

| Functions | Specification | Remarks |
|--|---------------------------------|---------|
| Main relief valve (Standard) | <u>35</u> MPa @ <u>30</u> L/min | |
| LS relief valve (Option) <input type="checkbox"/> With <input checked="" type="checkbox"/> Without | _____ MPa @ _____ L/min | |
| Unloading valve (Option) <input checked="" type="checkbox"/> With <input type="checkbox"/> Without | MAX 50 L/min | |

Spool Section

| Section No. | Type of Control | Type of Main Spool | Port | Max. Flow (L/min) | Spool code | Line relief valve setting | Function (Actuator type) | Remarks |
|-------------|---|---|------|-------------------|------------|---|--------------------------|---------|
| 1 | <input type="checkbox"/> Hyd, pilot <input type="checkbox"/> Electro-Hydraulic <input checked="" type="checkbox"/> Electro-Hydraulic + Manual lever | <input type="checkbox"/> Three position spool (Standard) <input type="checkbox"/> Three position spool (Motor with restriction) Four position spool with float function <input checked="" type="checkbox"/> for A port <input type="checkbox"/> for B port | A | 180 | A | <u>32</u> MPa @ <u>30</u> L/min <input type="checkbox"/> Not Required | Cylinder Boom | |
| | | | B | 160 | A | <u>32</u> MPa @ <u>30</u> L/min <input type="checkbox"/> Not Required | | |
| 2 | <input type="checkbox"/> Hyd, pilot <input type="checkbox"/> Electro-Hydraulic <input checked="" type="checkbox"/> Electro-Hydraulic + Manual lever | <input checked="" type="checkbox"/> Three position spool (Standard) <input type="checkbox"/> Three position spool (Motor with restriction) Four position spool with float function <input type="checkbox"/> for A port <input type="checkbox"/> for B port | A | 120 | C | <u>32</u> MPa @ <u>30</u> L/min <input type="checkbox"/> Not Required | Cylinder Bucket | |
| | | | B | 100 | C | <u>32</u> MPa @ <u>30</u> L/min <input type="checkbox"/> Not Required | | |
| 3 | <input type="checkbox"/> Hyd, pilot <input type="checkbox"/> Electro-Hydraulic <input checked="" type="checkbox"/> Electro-Hydraulic + Manual lever | <input checked="" type="checkbox"/> Three position spool (Standard) <input type="checkbox"/> Three position spool (Motor with restriction) Four position spool with float function <input type="checkbox"/> for A port <input type="checkbox"/> for B port | A | 180 | A | _____ MPa @ _____ L/min <input checked="" type="checkbox"/> Not Required | Cylinder Option 1 | |
| | | | B | 180 | A | _____ MPa @ _____ L/min <input checked="" type="checkbox"/> Not Required | | |
| 4 | <input checked="" type="checkbox"/> Hyd, pilot <input type="checkbox"/> Electro-Hydraulic <input type="checkbox"/> Electro-Hydraulic + Manual lever | <input checked="" type="checkbox"/> Three position spool (Standard) <input type="checkbox"/> Three position spool (Motor with restriction) Four position spool with float function <input type="checkbox"/> for A port <input type="checkbox"/> for B port | A | 180 | A | _____ MPa @ _____ L/min <input checked="" type="checkbox"/> Not Required | Option 2 | |
| | | | B | 180 | A | _____ MPa @ _____ L/min <input checked="" type="checkbox"/> Not Required | | |

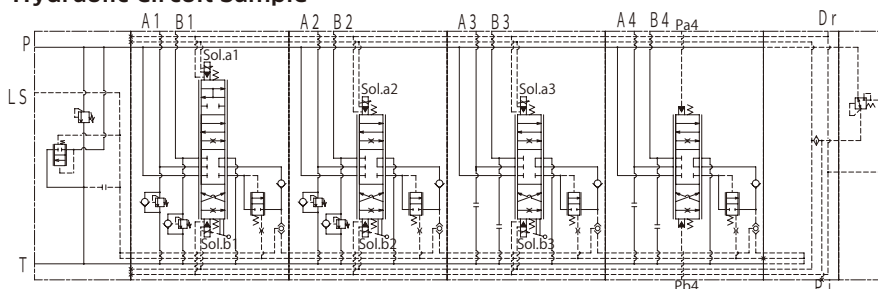
Specification for Solenoid valve (For Electro - Hydraulic)

| | |
|--------------------|--|
| Rated voltage | <input checked="" type="checkbox"/> 12V <input type="checkbox"/> 24V |
| Solenoid Connector | <input checked="" type="checkbox"/> Deutsch |

Other Specifications

| | |
|--|---|
| Thread port type (O-ring boss) | <input checked="" type="checkbox"/> G type <input type="checkbox"/> SAE J1926-1 |
| Pilot Pressure supply (in case of Electro - Hydraulic control) | <input checked="" type="checkbox"/> Internal supply (with reducing valve) <input type="checkbox"/> External supply |

Hydraulic Circuit Sample



Please fill the table to specify the requirements.
Please contact us for any questions.



KLSV18 Inquiry Form

Please fill in the bold line, or tick in the box.

Date: _____
 Type of Application: _____
 Customer Name: _____
 Machine Model: _____

Inlet Section

| Functions | Specification | Remarks |
|---|-------------------------|---------|
| Main relief valve (Standard) | _____ MPa @ _____ L/min | |
| LS relief valve (Option) <input type="checkbox"/> With <input type="checkbox"/> Without | _____ MPa @ _____ L/min | |
| Unloading valve (Option) <input type="checkbox"/> With <input type="checkbox"/> Without | MAX 50 L/min | |

Spool Section

| Section No. | Type of Control | Type of Main Spool | Port | Max. Flow (L/min) | Spool code | Line relief valve setting | Function (Actuator type) | Remarks |
|-------------|--|--|------|-------------------|------------|--|--------------------------|---------|
| 1 | <input type="checkbox"/> Hyd, pilot <input type="checkbox"/> Electro-Hydraulic <input type="checkbox"/> Electro-Hydraulic + Manual lever | <input type="checkbox"/> Three position spool (Standard) <input type="checkbox"/> Three position spool (Motor with restriction) Four position spool with float function <input type="checkbox"/> for A port <input type="checkbox"/> for B port | A | | | _____ MPa @ _____ L/min <input type="checkbox"/> Not Required | | |
| | | | B | | | _____ MPa @ _____ L/min <input type="checkbox"/> Not Required | | |
| 2 | <input type="checkbox"/> Hyd, pilot <input type="checkbox"/> Electro-Hydraulic <input type="checkbox"/> Electro-Hydraulic + Manual lever | <input type="checkbox"/> Three position spool (Standard) <input type="checkbox"/> Three position spool (Motor with restriction) Four position spool with float function <input type="checkbox"/> for A port <input type="checkbox"/> for B port | A | | | _____ MPa @ _____ L/min <input type="checkbox"/> Not Required | | |
| | | | B | | | _____ MPa @ _____ L/min <input type="checkbox"/> Not Required | | |
| 3 | <input type="checkbox"/> Hyd, pilot <input type="checkbox"/> Electro-Hydraulic <input type="checkbox"/> Electro-Hydraulic + Manual lever | <input type="checkbox"/> Three position spool (Standard) <input type="checkbox"/> Three position spool (Motor with restriction) Four position spool with float function <input type="checkbox"/> for A port <input type="checkbox"/> for B port | A | | | _____ MPa @ _____ L/min <input type="checkbox"/> Not Required | | |
| | | | B | | | _____ MPa @ _____ L/min <input type="checkbox"/> Not Required | | |
| 4 | <input type="checkbox"/> Hyd, pilot <input type="checkbox"/> Electro-Hydraulic <input type="checkbox"/> Electro-Hydraulic + Manual lever | <input type="checkbox"/> Three position spool (Standard) <input type="checkbox"/> Three position spool (Motor with restriction) Four position spool with float function <input type="checkbox"/> for A port <input type="checkbox"/> for B port | A | | | _____ MPa @ _____ L/min <input type="checkbox"/> Not Required | | |
| | | | B | | | _____ MPa @ _____ L/min <input type="checkbox"/> Not Required | | |
| 5 | <input type="checkbox"/> Hyd, pilot <input type="checkbox"/> Electro-Hydraulic <input type="checkbox"/> Electro-Hydraulic + Manual lever | <input type="checkbox"/> Three position spool (Standard) <input type="checkbox"/> Three position spool (Motor with restriction) Four position spool with float function <input type="checkbox"/> for A port <input type="checkbox"/> for B port | A | | | _____ MPa @ _____ L/min <input type="checkbox"/> Not Required | | |
| | | | B | | | _____ MPa @ _____ L/min <input type="checkbox"/> Not Required | | |
| 6 | <input type="checkbox"/> Hyd, pilot <input type="checkbox"/> Electro-Hydraulic <input type="checkbox"/> Electro-Hydraulic + Manual lever | <input type="checkbox"/> Three position spool (Standard) <input type="checkbox"/> Three position spool (Motor with restriction) Four position spool with float function <input type="checkbox"/> for A port <input type="checkbox"/> for B port | A | | | _____ MPa @ _____ L/min <input type="checkbox"/> Not Required | | |
| | | | B | | | _____ MPa @ _____ L/min <input type="checkbox"/> Not Required | | |
| 7 | <input type="checkbox"/> Hyd, pilot <input type="checkbox"/> Electro-Hydraulic <input type="checkbox"/> Electro-Hydraulic + Manual lever | <input type="checkbox"/> Three position spool (Standard) <input type="checkbox"/> Three position spool (Motor with restriction) Four position spool with float function <input type="checkbox"/> for A port <input type="checkbox"/> for B port | A | | | _____ MPa @ _____ L/min <input type="checkbox"/> Not Required | | |
| | | | B | | | _____ MPa @ _____ L/min <input type="checkbox"/> Not Required | | |
| 8 | <input type="checkbox"/> Hyd, pilot <input type="checkbox"/> Electro-Hydraulic <input type="checkbox"/> Electro-Hydraulic + Manual lever | <input type="checkbox"/> Three position spool (Standard) <input type="checkbox"/> Three position spool (Motor with restriction) Four position spool with float function <input type="checkbox"/> for A port <input type="checkbox"/> for B port | A | | | _____ MPa @ _____ L/min <input type="checkbox"/> Not Required | | |
| | | | B | | | _____ MPa @ _____ L/min <input type="checkbox"/> Not Required | | |
| 9 | <input type="checkbox"/> Hyd, pilot <input type="checkbox"/> Electro-Hydraulic <input type="checkbox"/> Electro-Hydraulic + Manual lever | <input type="checkbox"/> Three position spool (Standard) <input type="checkbox"/> Three position spool (Motor with restriction) Four position spool with float function <input type="checkbox"/> for A port <input type="checkbox"/> for B port | A | | | _____ MPa @ _____ L/min <input type="checkbox"/> Not Required | | |
| | | | B | | | _____ MPa @ _____ L/min <input type="checkbox"/> Not Required | | |

Specification for Solenoid valve (For Electro - Hydraulic)

| | | |
|--------------------|----------------------------------|------------------------------|
| Rated voltage | <input type="checkbox"/> 12V | <input type="checkbox"/> 24V |
| Solenoid Connector | <input type="checkbox"/> Deutsch | |

Other Specifications

| | |
|--|--|
| Thread port type (O-ring boss) | <input type="checkbox"/> G type <input type="checkbox"/> SAE J1926-1 |
| Pilot Pressure supply (in case of Electro - Hydraulic control) | <input type="checkbox"/> Internal supply (with reducing valve) <input type="checkbox"/> External supply |

Comments (Other requirements)

Kawasaki Heavy Industries, Ltd.

Precision Machinery Company

<http://www.khi.co.jp/kpm/>

Tokyo Head Office

1-14-5 Kaigan, Minato-ku, Tokyo 105-8315, Japan
Phone +81-3-3435-6862 Fax. +81-3-3435-2023

Kobe Head Office

Kobe Crystal Tower, 1-3 Higashikawasaki-cho 1-chome, Chuo-ku, Kobe 650-8680, Japan
Phone +81-78-360-8607 Fax. +81-78-360-8609

Nishi-kobe Works

234, Matsumoto, Hasetani-cho, Nishi-ku, Kobe 651-2239, Japan
Phone +81-78-991-1160 Fax. +81-78-991-3186

OVERSEAS SUBSIDIARIES

Kawasaki Precision Machinery (UK) Ltd.

Ernesettle Lane, Ernesettle, Plymouth, Devon, PL5 2SA United Kingdom
Phone +44-1752-364394 Fax. +44-1752-364816
<http://www.kpm-eu.com>

Kawasaki Precision Machinery (U.S.A.), Inc.

3838 Broadmoor Avenue S.E. Grand Rapids, Michigan 49512, U.S.A.
Phone +1-616-975-3100 Fax. +1-616-975-3103
<http://www.kpm-usa.com>

Kawasaki Precision Machinery (Suzhou) Ltd.

668 JianLin Rd, New District, Suzhou, 215151 China
Phone +86-512-6616-0365 Fax. +86-512-6616-0366

Kawasaki Precision Machinery Trading (Shanghai) Co., Ltd.

17th Floor (Room 1701), The Headquarters Building, No168, XiZang Road (M), Huangpu District, Shanghai, 200001, China
Phone +86-021-3366-3800 Fax. +86-021-3366-3808

Kawasaki Chunhui Precision Machinery (Zhejiang) Ltd.

No.200 Yasha Road Shangyu Economic Development Zone, Shansyu, Zhejiang, 312300, China
Phone +86-575-8215-6999 Fax. +86-575-8215-8699

Flutek, Ltd.

192-11, Shinchon-dong, Changwon, Kyungnam, 641-370, Korea
Phone +82-55-210-5900 Fax. +82-55-286-5557

Wipro Kawasaki Precision Machinery Private Limited

No. 15, Sy. No. 35 & 37, Kumbalgodu Industrial Area, Kumbalgodu Village, Kengeri Hobli, Bangalore, - 560074, India