

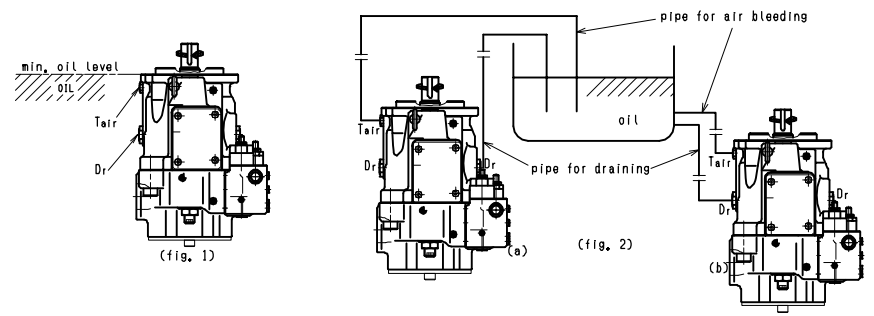
DATE	REVISION	REVISION	REVISION	REVISION	REVISION
	1				

Port name	Port size	On delivery	Tightening torque (N·m (lbf·ft))
A	Delivery port	SAE J518C Std, pressure (code 61) 1"	57 (42.0)
B	Suction port	SAE J518C Std, pressure (code 61) 1 1/2"	98 (72.3)
Dr	Drain port	SAE J1926/1 Straight thread O-Ring boss 1/2" O, D Tube 3/4-16UNF-2B	98 (72.3)
Pl	Load sensing port (Type L0, L1)	SAE J1926/1 Straight thread O-Ring boss 1/4" O, D Tube 7/16-20UNF-2B	12 (8.8)
Pe	Pressure control port (Type P0)	SAE J1926/1 Straight thread O-Ring boss 1/4" O, D Tube 7/16-20UNF-2B	12 (8.8)
Tair	Air bleeder port	SAE J1926/1 Straight thread O-Ring boss 1/4" O, D Tube 7/16-20UNF-2B	12 (8.8)

Notes on mounting and operation

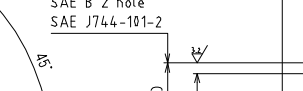
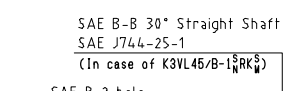
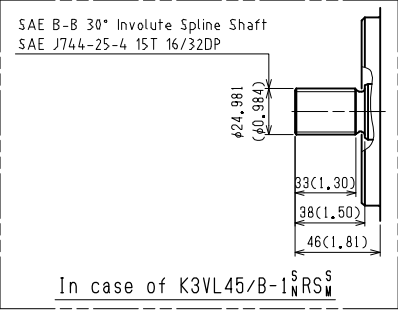
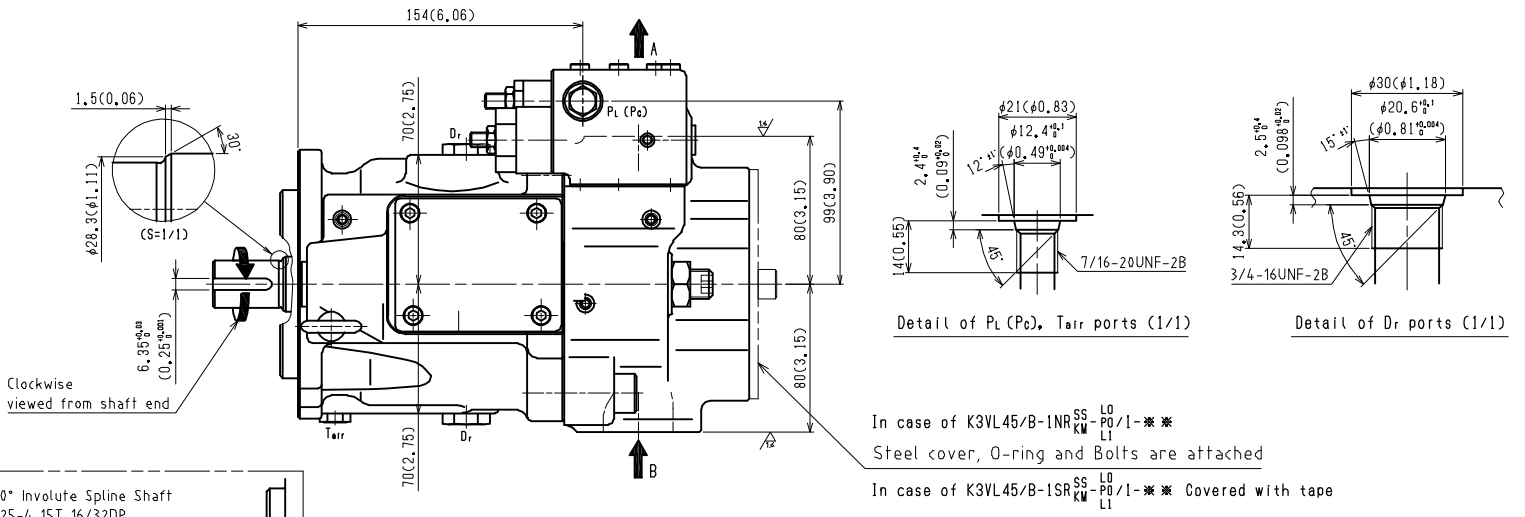
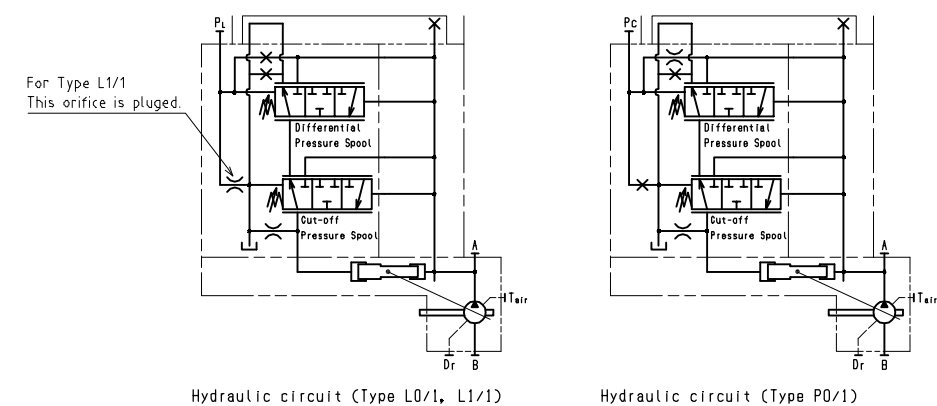
- The pump shaft and flange surfaces should be cleaned. Remove an anti-rust material.
- Do not apply any form of axial loading to the pump shaft.
- The uppermost drain port should be used and the drain piping should be so connected as to keep the casing filled with oil.
- Keep the casing pressure below 1 bar (14 psi) normally, and below 4 bar (58 psi) at its peak.
- Make sure the drain piping led into the oil tank is kept below the surface of the oil (to prevent airtion).
- Make sure the suction pressure in the suction flange is kept above 0 bar (0 psi) normally.
- Mineral antiwear type hydraulic oil should be used.
- For satisfactory service life of the pump in application, the operating fluid should be continuously filtered to a minimum cleanliness level of NAS1638 class 9 or 18/15 to ISO/DIS 4406.
- Provide a 150 mesh (100µm) strainer in the suction line.
- Install a 10µm filter in the return line.
- Allowable oil temperature range : -20~95°C.
- Oil viscosity range : 10~1000cSt when 200~1000cSt, take warming up before real working.
- Caution for the vertical mounting, The oil level in the tank should be upper than the pump mounting flange. (fig. 1) if the oil level is lower than the pump level, forced lubrication should be made from the air bleeder port. (flow 1~2 l/min)

- Installation within a tank
 - Open the drain port and the air bleeder port.
- Installation outside a tank (fig. 2)
 - Pipe the drain port and the air bleeder port to tank.
 - If the pipe for draining or air bleeding is upper than the oil level, it should be filled with oil before starting the pump.



Operating specifications

Displacement	cm ³ (in ³)	45 (2.75)
Max. self priming speed	min ⁻¹	2700 (Clockwise viewed from shaft end)
Rated pressure	bar (psi)	320 (4600)
Peak pressure	bar (psi)	350 (5000)
Pump model name		K3VL45/B-1 ^S _N SS ^{LO} _{PM} /1-00

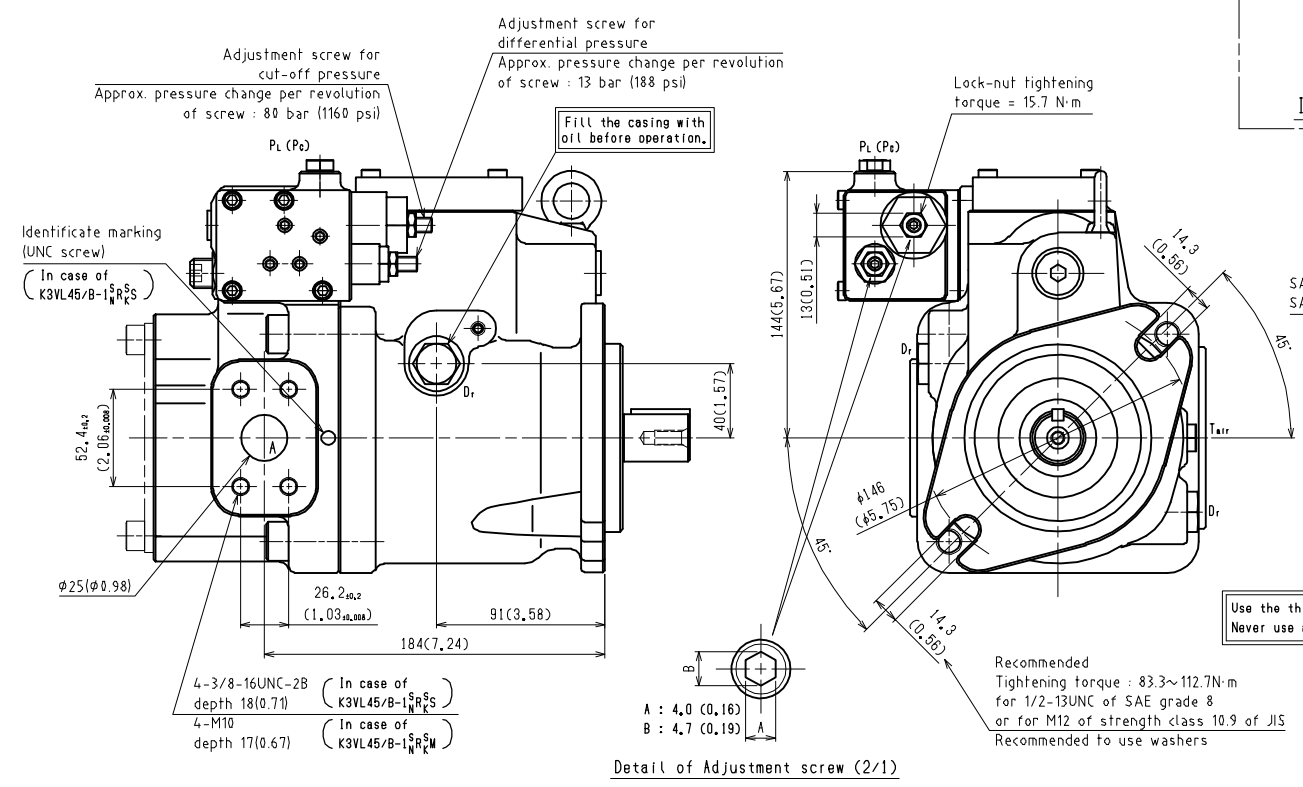


Pump model name	K3VL45/B
Adjustable range of max. displacement	cm ³ 16~45
L	mm 0.5~12.1

Max. flow adjusting screw
Approx. displacement change per revolution of screw : 4.9cm³

Lock-nut tightening torque = 128N·m

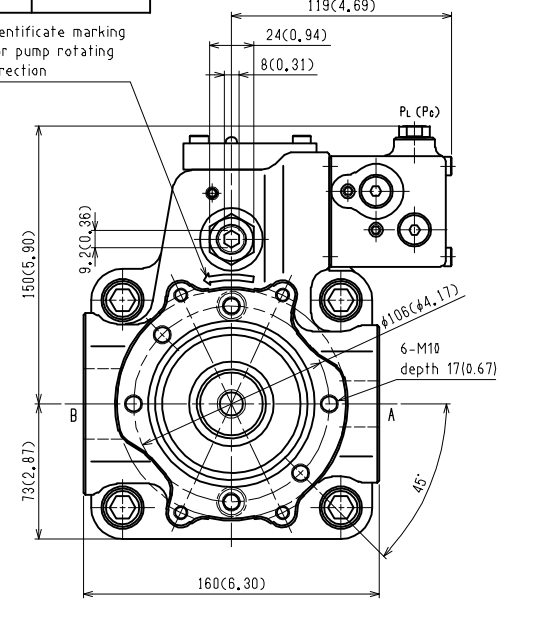
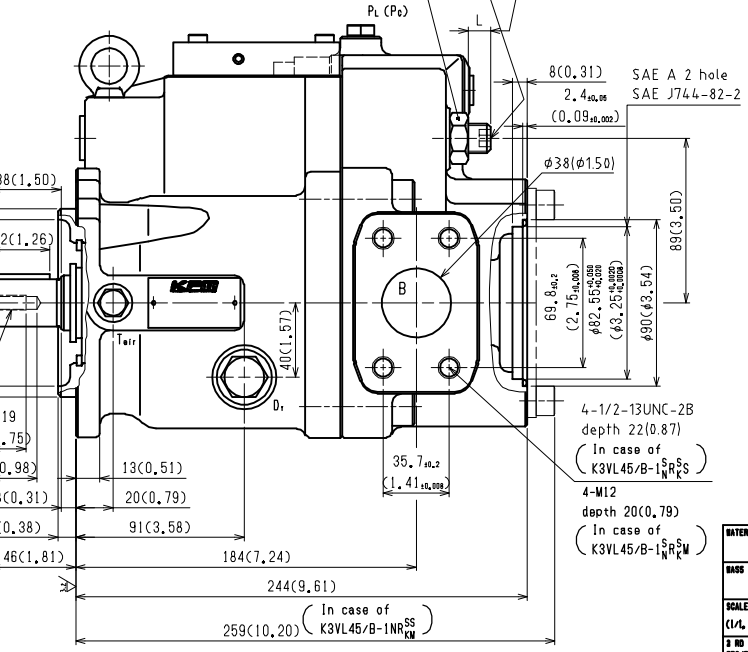
Identificate marking for pump rotating direction



Use the thread for fixing the coupling
Never use a hammer.

Recommended Tightening torque : 83.3~112.7N·m for 1/2-13UNC of SAE grade 8 or for M12 of strength class 10.9 of JIS Recommended to use washers

Detail of Adjustment screw (2/1)
A : 4.0 (0.16)
B : 4.7 (0.19)



Dimensions are shown in millimeters in principle. Figures in parenthesis are shown in inches.

MATERIAL	APPROVED	PRODUCT ONE	JOB NO.	DATE
BASE	30	S, Jolliffe		
SCALE (1/L 2/1)	1/2	J, Glover		
1 IN ANGLE PROJECTION				
DATE	30.11.2017	DRN	U, Gothen	PART NO.
				SPR. NO.
				KL100097
				SPARE TOTAL