

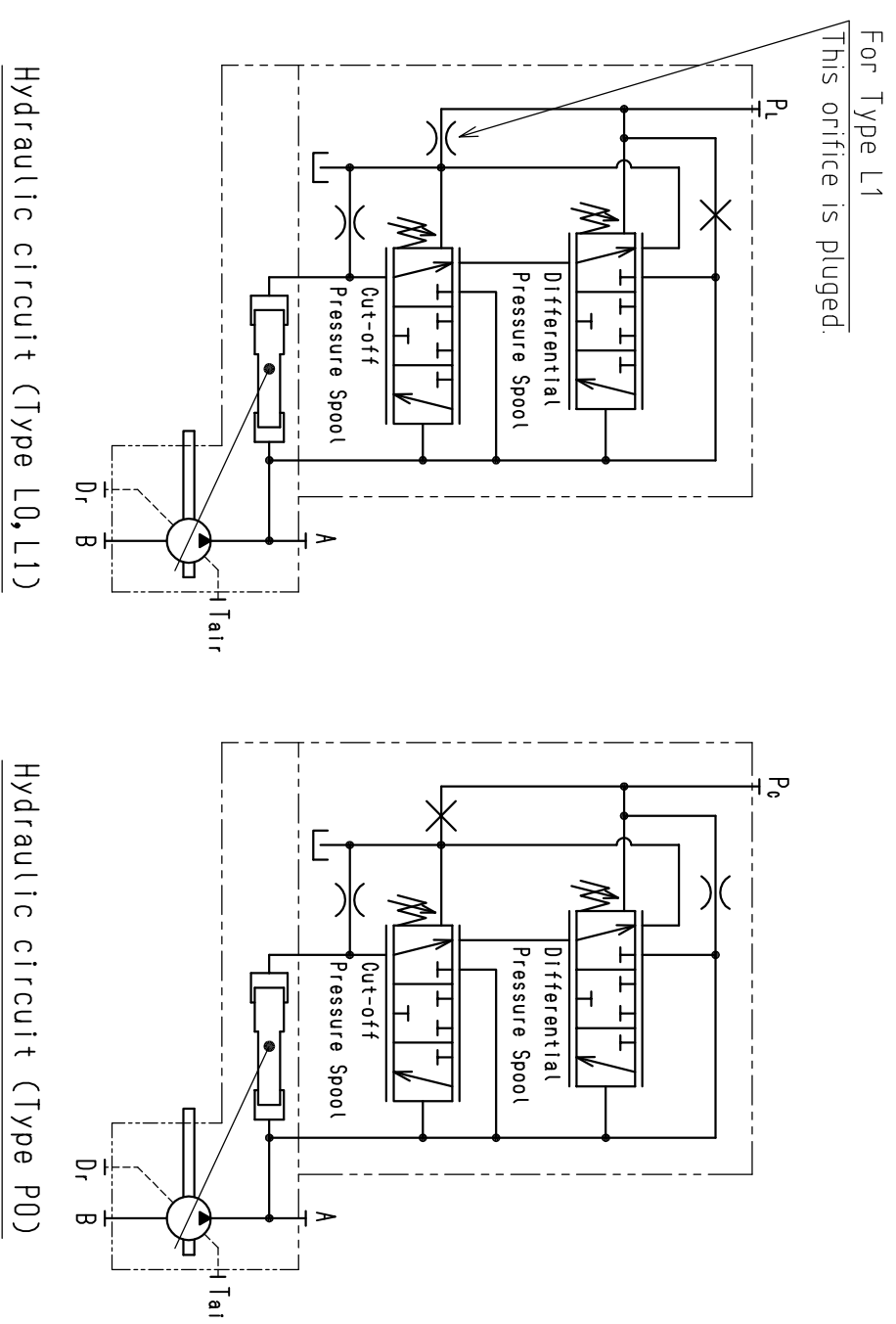
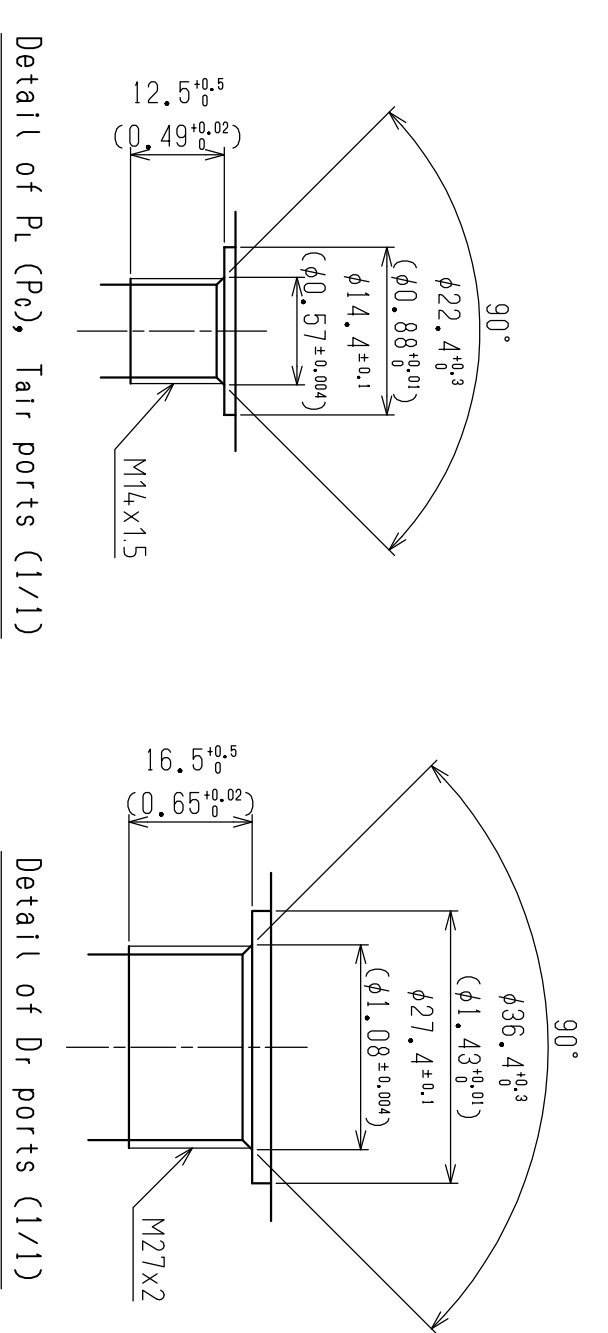
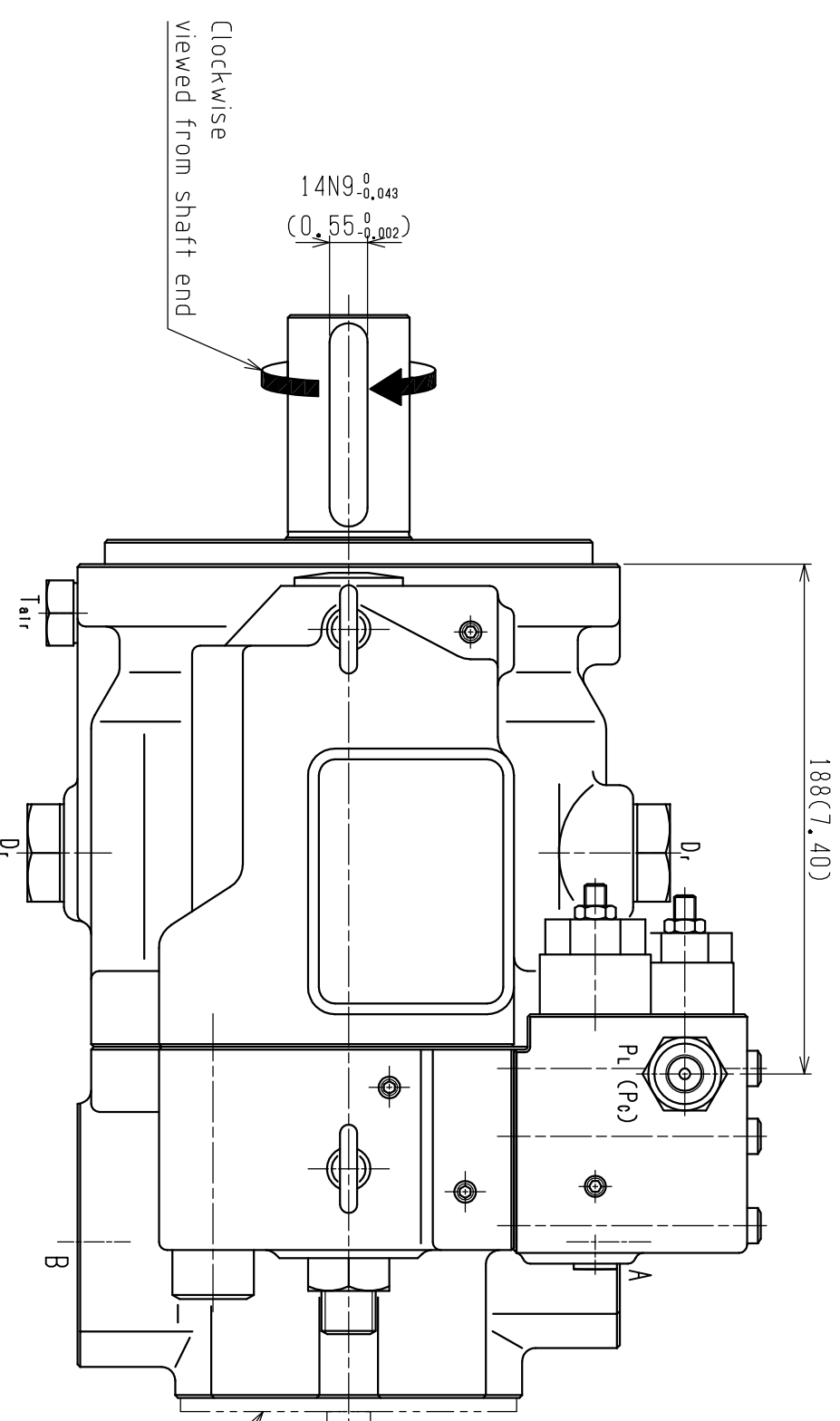
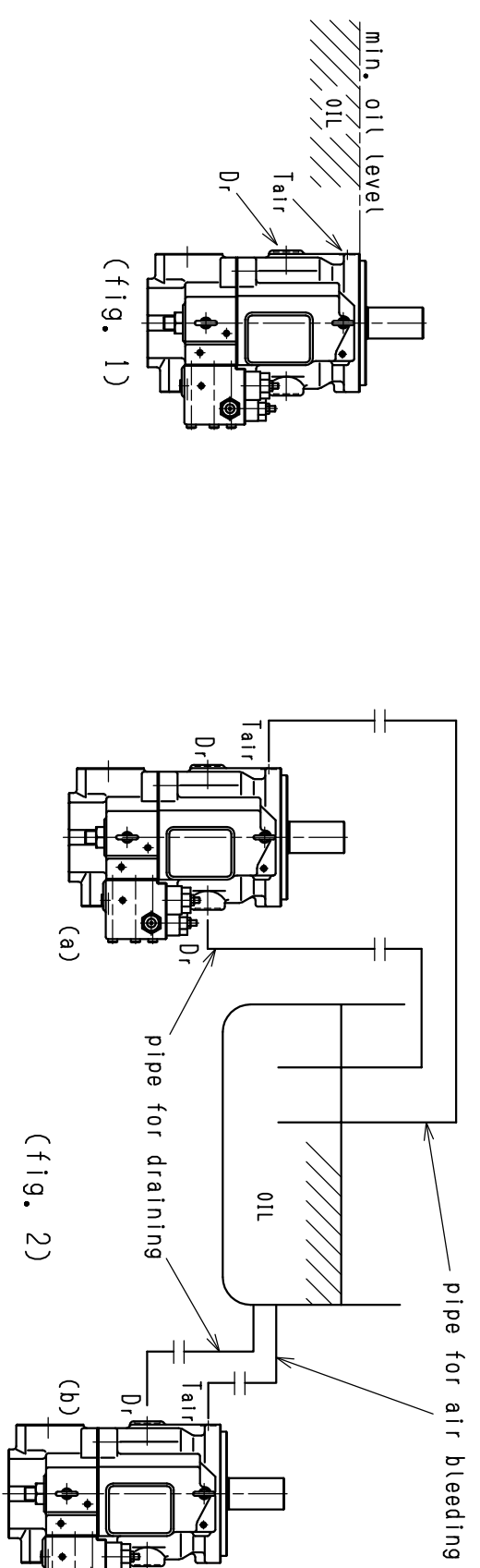
Operating specifications

Displacement	cm ³ (in ³)	140 (8.54)
Max. self priming speed	min ⁻¹	2200 (Clockwise viewed from shaft end)
Rated pressure	bar (psi)	320 (4600)
Peak pressure	bar (psi)	350 (5000)
Pump model name		K3VL140/B-1 ^S RMW-10

Port name	Port size	On delivery	Tightening torque (N·m)
A	Delivery port	SAE J518C High pressure (Code 62) 1 1/4"	Covered with tape 157 (115.8)
B	Suction port	SAE J518C Std. pressure (Code 61) 2 1/2"	Covered with tape 98 (72.3)
D _i	Drain port	DN 3/8x2 M27x2	Attached with steel plug 167 (123.2)
P _L	Load sensing port (Type L0, L1)		Attached with steel plug 25 (18.4)
P _C	Pressure control port (Type P0)		Attached with steel plug 25 (18.4)
T _{air}	Air bleeder port	DN 3/8x2 M4x1.5	Attached with steel plug 25 (18.4)

Notes on mounting and operation

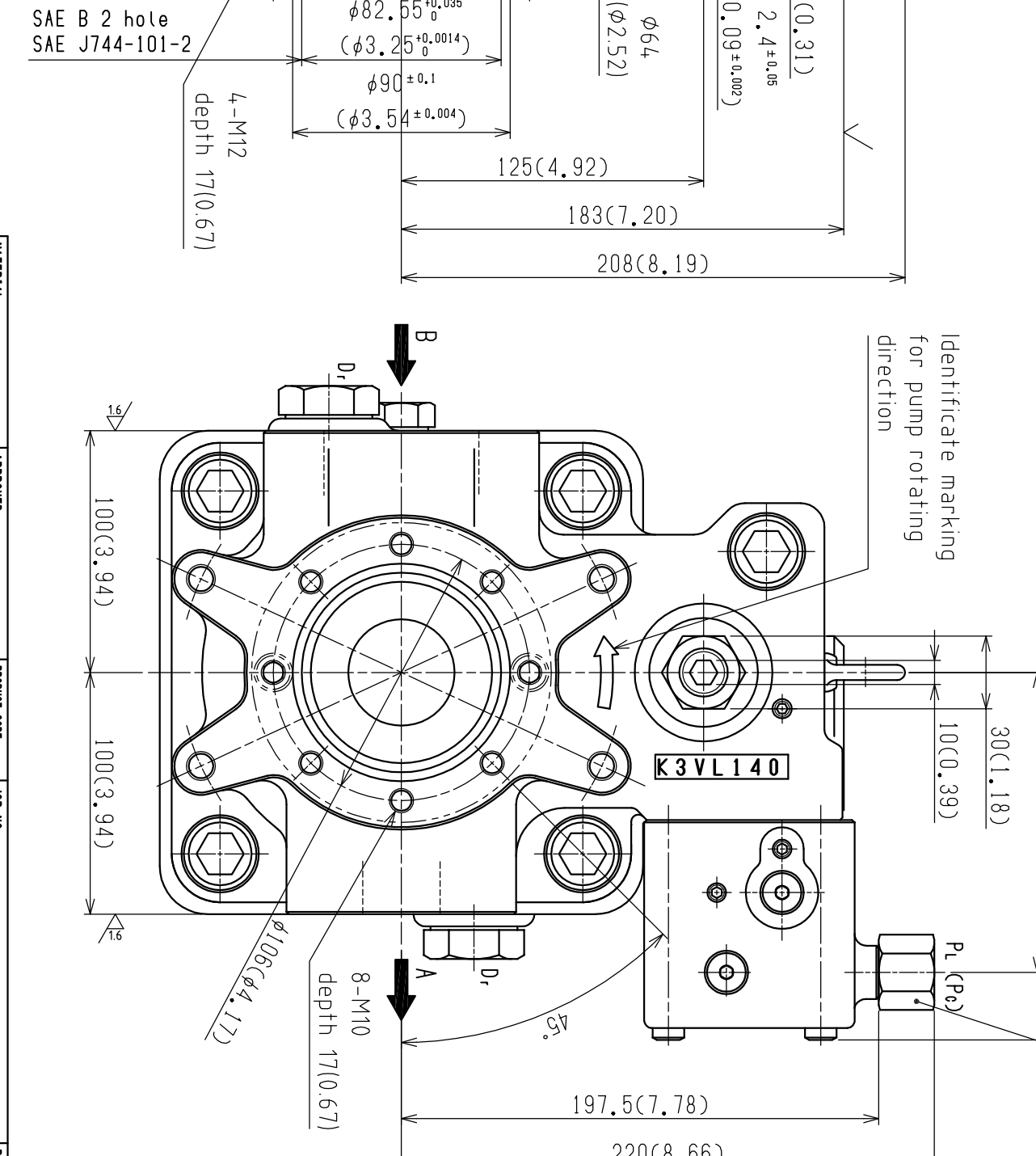
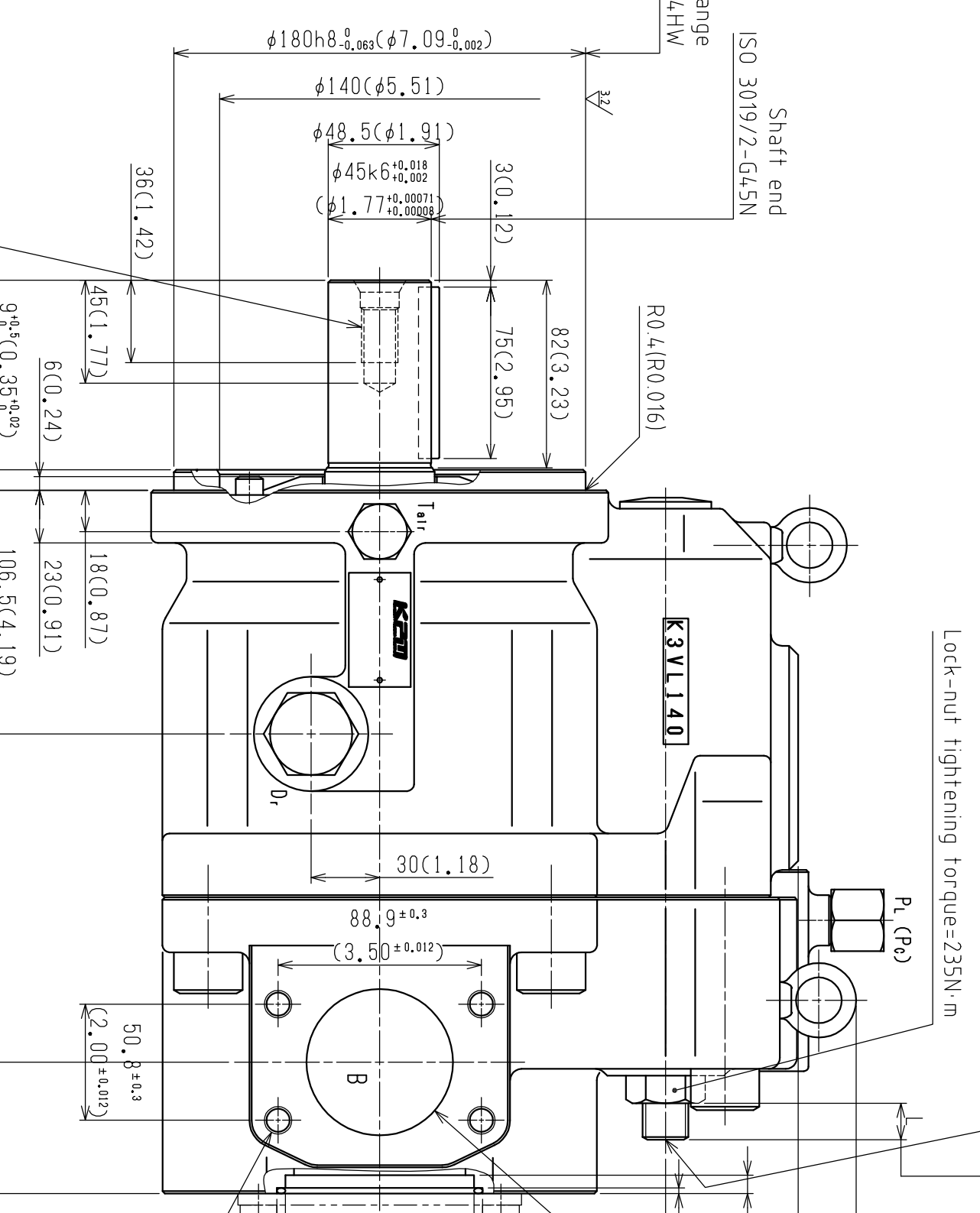
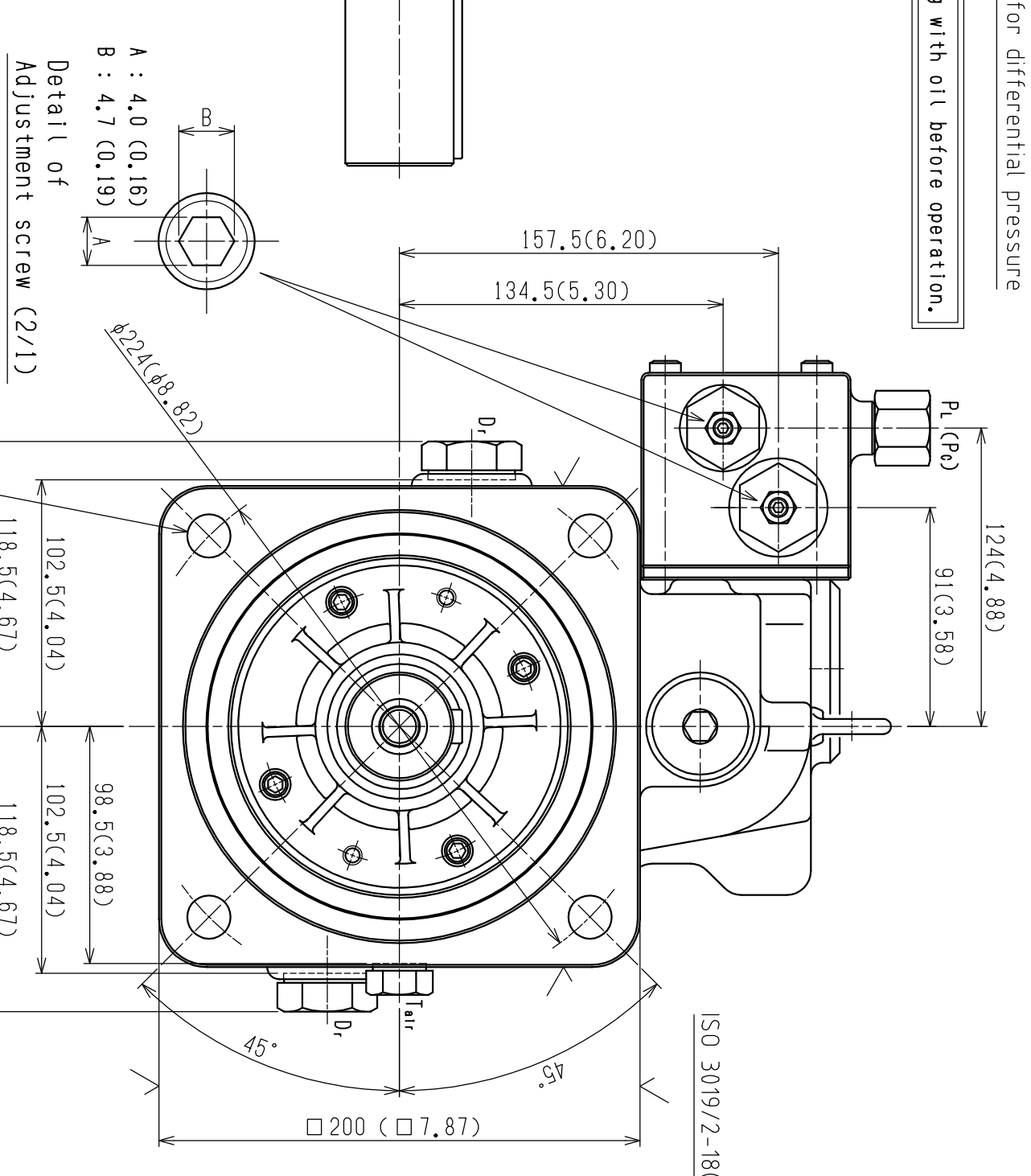
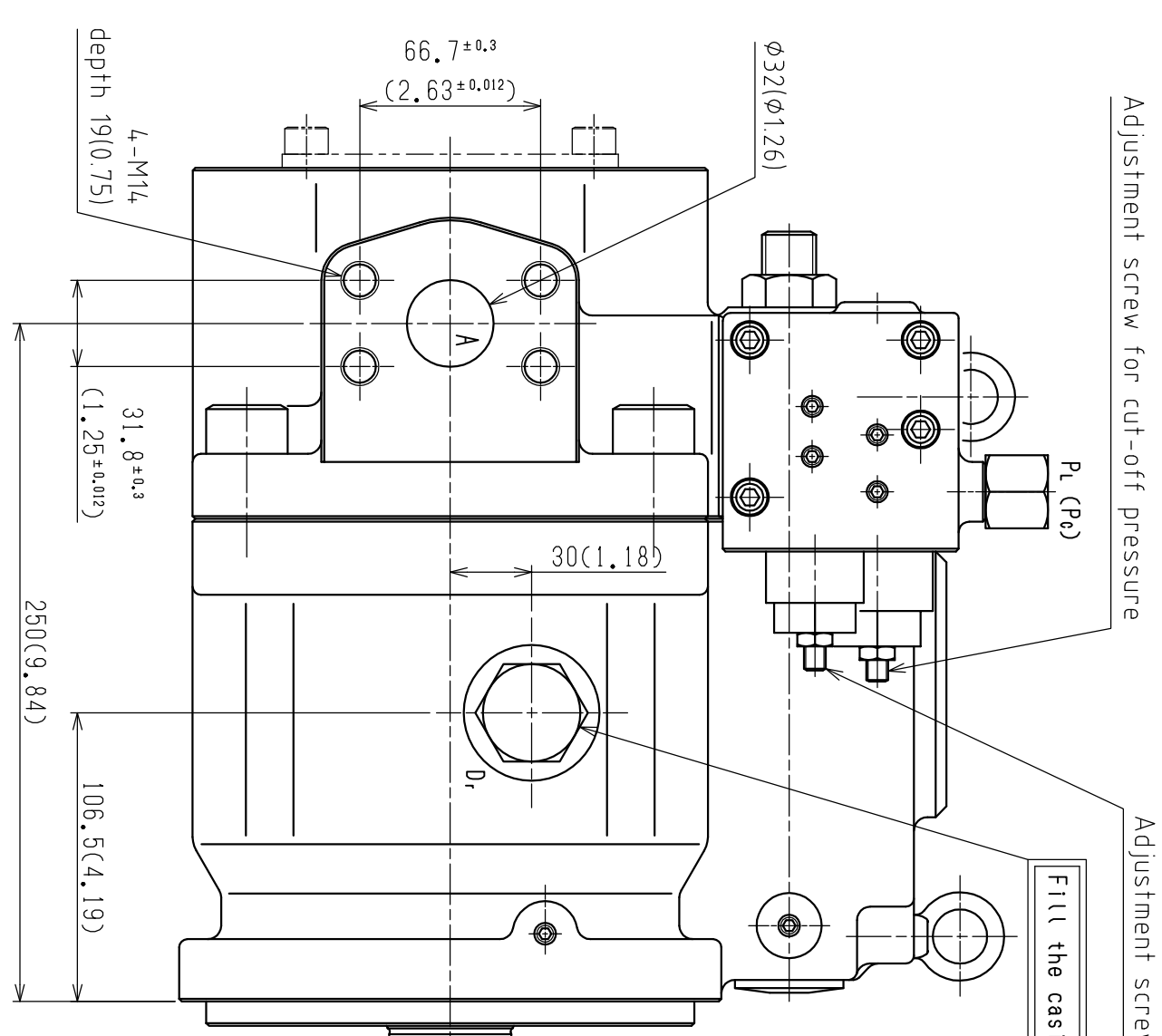
- (1) The pump shaft and flange surfaces should be cleaned. Remove an anti-rust material.
 - (2) Do not apply any form of axial loading to the pump shaft.
 - (3) The uppermost drain port should be used and the drain piping should be so connected as to keep the casing filled with oil.
 - (4) Keep the casing pressure below 1 bar (14 psi) normally, and below 4 bar (58 psi) at its peak.
 - (5) Make sure the drain piping led into the oil tank is kept below the surface of the oil (to prevent airtation).
 - (6) Make sure the suction pressure in the suction flange is kept above 0 bar (0 psi) normally.
 - (7) Mineral antiwear type hydraulic oil should be used.
 - (8) For satisfactory service life of the pump in application, the operating fluid should be continuously filtered to a minimum cleanliness level of NAS1638 class 9 or 18/15 to ISO/DIS 4406.
 - (9) Provide a 150 μm mesh (100 μm) strainer in the suction line.
 - (10) Install a 10 μm filter in the return line.
 - (11) Allowable oil temperature range : -20~95°C.
 - (12) Oil viscosity range : 10~1000cSt when 200~1000cSt, take warming up before real working.
 - (13) Caution for the vertical mounting.
The oil level in the tank should be upper than the pump mounting flange. (Fig. 1)
If the oil level is lower than the pump level, forced lubrication should be made from the air bleeder port. (flow 1~2 l/min)
- (a) Installation within a tank
① Open the drain port and the air bleeder port.
② Installation outside a tank (Fig. 2)
 - (b) Pipe the drain port and the air bleeder port to tank.
① If the pipe for draining or air bleeding is upper than the oil level, it should be filled with oil before starting the pump.



Pump model name	K3VL140/B
Adjustable range of max. displacement	70~140
L	1.0~1.6

Adapter
Tightening torque: 2N·m
(Not attached but supply with pump)

152(5.98)
124(4.88)
30(1.18)
100(0.39)
197.5(7.78)
220(8.66)



Use the thread for fixing the coupling
Never use a hammer.

DATE	June, 17, 2005
DESIGNER	N. Yamamoto
CHECKER	K. Matsuda
APPROVER	M. Ohnishi
SCALE	1/2.5
WESS	69 kg
INSTALLATION DIMENSIONS	
DELIVERY	