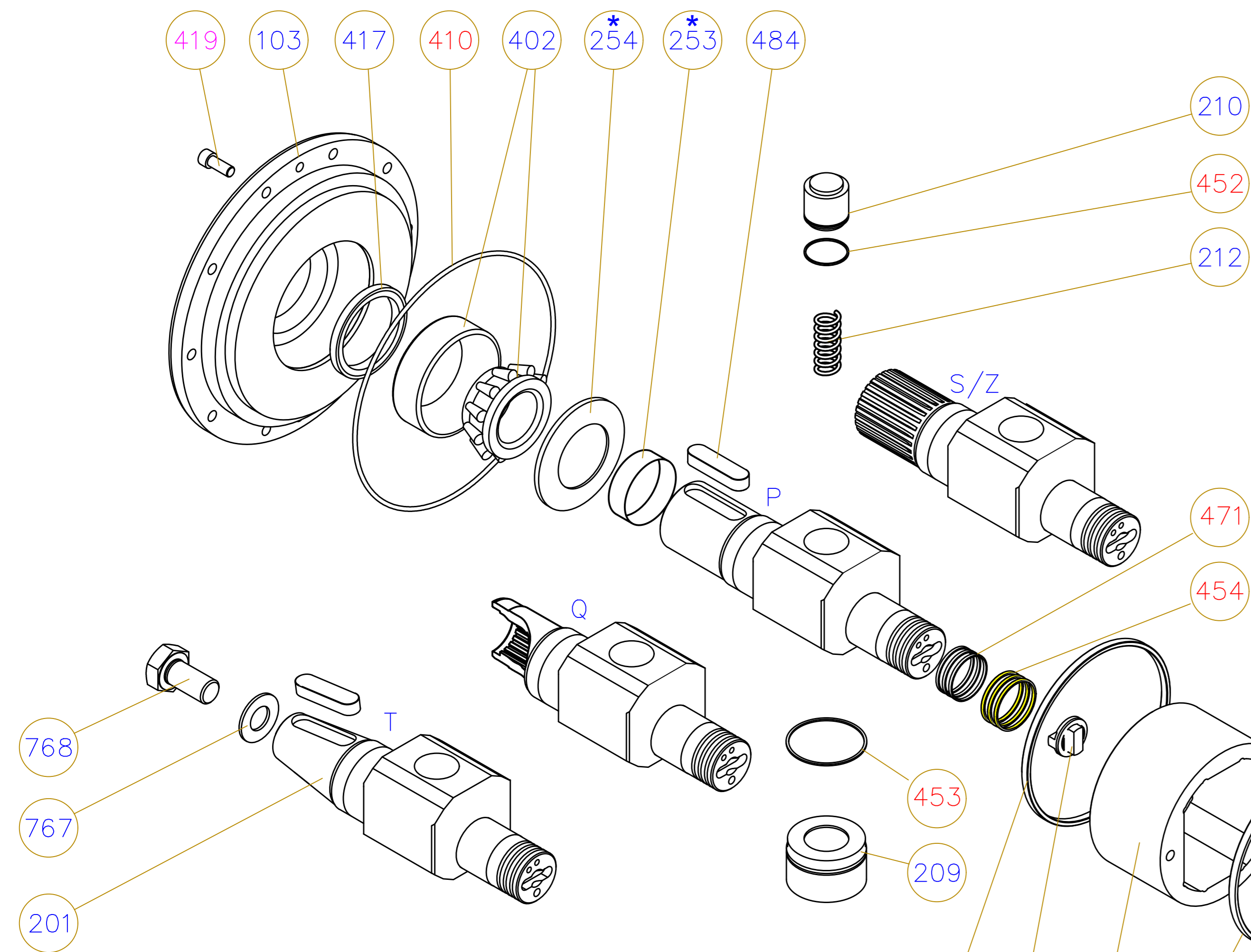


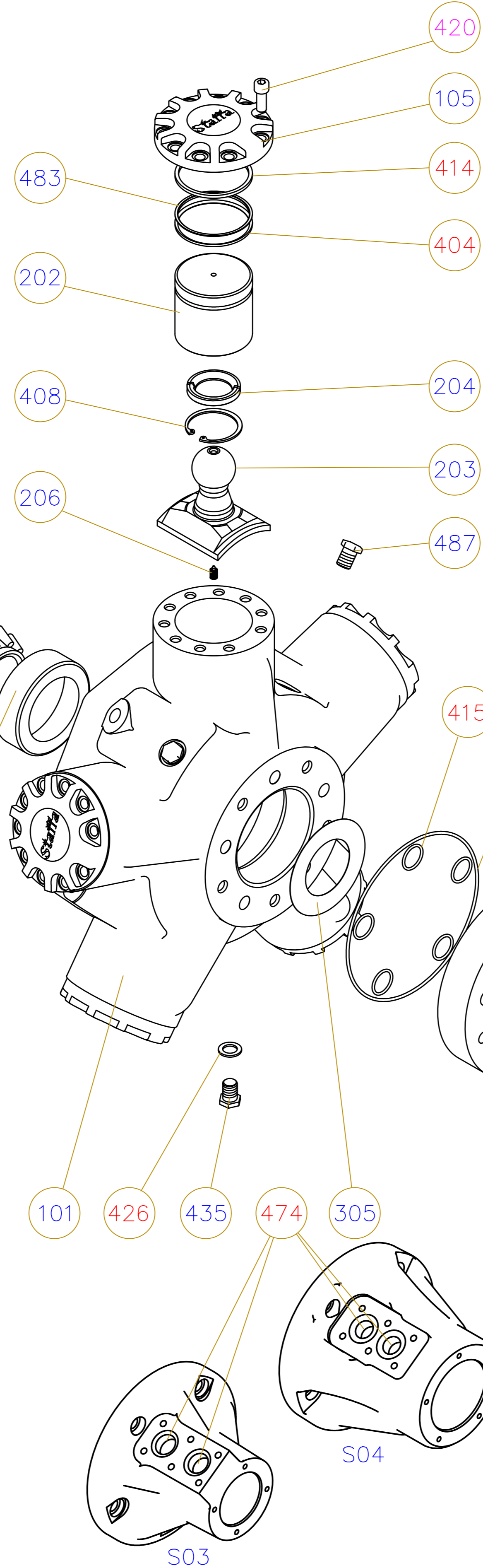
DRAWING No. 016318			
ISSUE	CHANGE	DATE	CHK.
A		07.07	F.S
B		01.12	FS
C	PM19/048	04.19	FS

DO NOT SCALE

F IN DOUBT-ASK

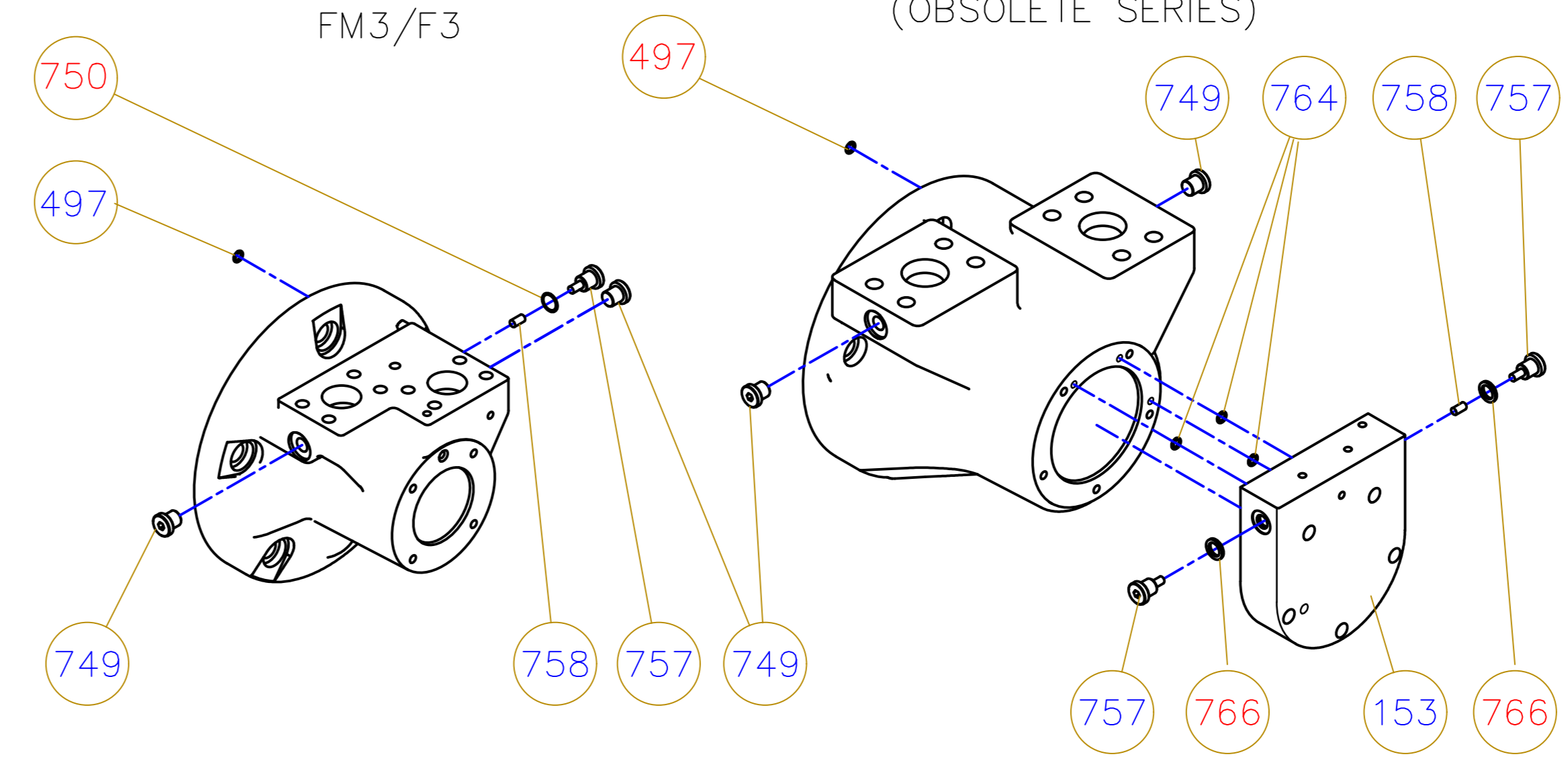


ITEMS HIGHLIGHTED RED MAY ONLY BE ORDERED IN A SEAL KIT



Applicable for
F3/FM3 CS CP CHP
F4/FM4 CS CP CHP only

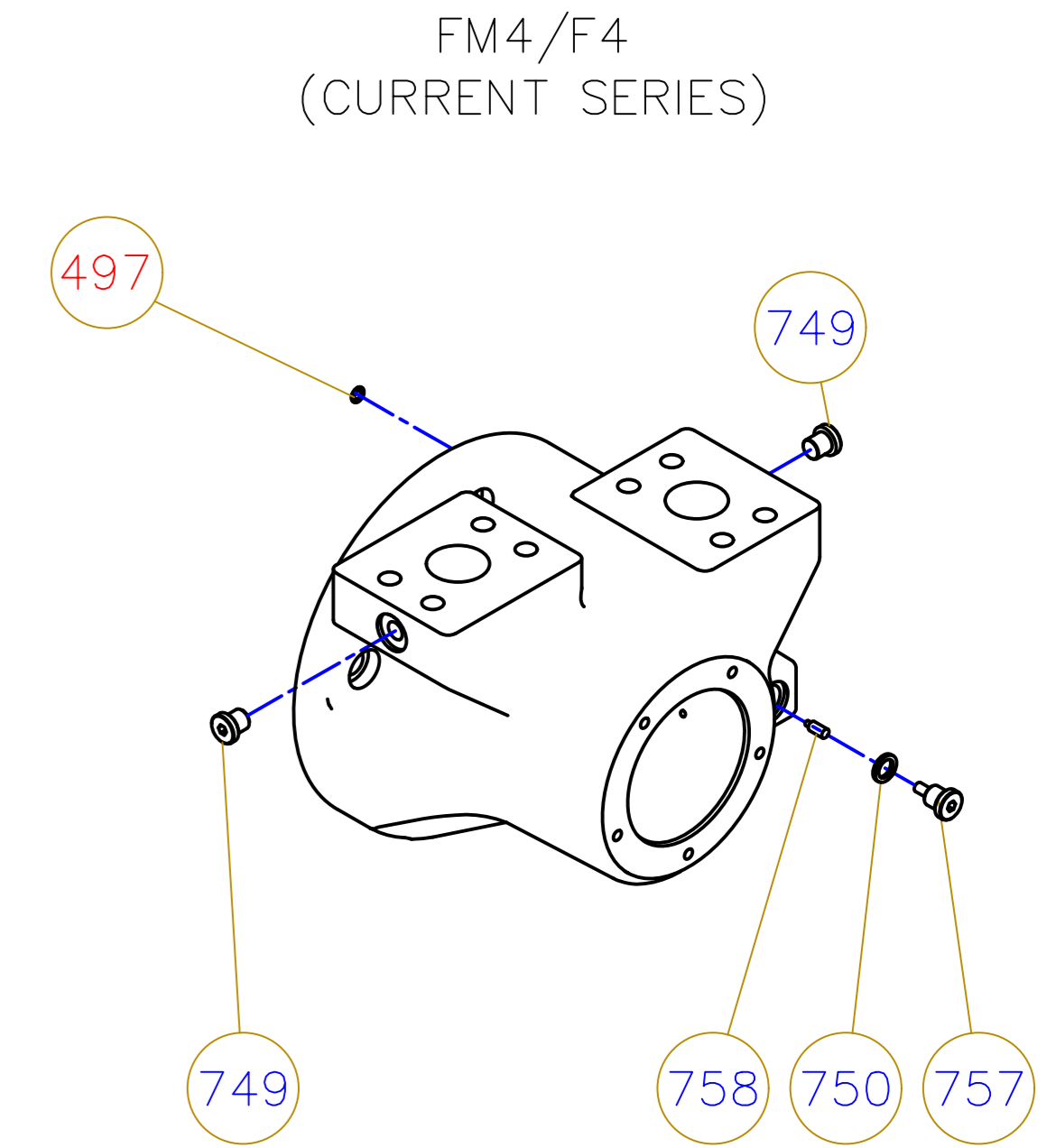
ITEMS HIGHLIGHTED MAGENTA MAY ONLY BE ORDERED IN A BOLT KIT



CODE	QTY	DESCRIPTION
153	1	SHUTTLE ENDCAP
497	1	'O' RING - SPACER PRESSURE FEED
749*	-	ERMETO PLUG-SIDE PRESSURE PORT - CS
750	1	'O' RING - SHUTTLE PLUG F3/FM3/CS
757*	-	SHUTTLE PLUG
758	1	SHUTTLE
764	3	'O' RING - SHUTTLE END CAP
766	2	BONDED WASHER

* WHERE FITTED

CS SHUTTLE OPTIONS



CODE	QTY	DESCRIPTION
497	1	'O' RING - SPACER PRESSURE FEED
749*	-	ERMETO PLUG-SIDE PRESSURE PORT - CS
750	1	'O' RING - SHUTTLE PLUG - CS
757*	-	SHUTTLE PLUG
758	1	SHUTTLE

* WHERE FITTED

SPARES :
QUOTE SERIAL NO OF MOTOR
+ FULL MODEL CODE

CODE	QTY	DESCRIPTION	CODE	QTY	DESCRIPTION
101	1	MOTORCASE	408	5	CIRCLIP (PISTON-INTERNAL)
102	1	VALVE HOUSING	410	1	O-RING (FRONT COVER)
103	1	FRONT COVER	413	1	O-RING (VALVE END CAP)
104	1	VALVE END CAP	414	5	O-RING (CYLINDER HEAD)
105	5	CYLINDER HEAD	415	10	O-RING (INTERNAL PORTS)
109	1	C-SPACER	417	1	SHAFT SEAL
201	1	TWO SPEED CRANKSHAFT	418	5	S.H.C.S. (VALVE HSG/SPACER/M'CASE)
202	5	PISTON	419	10	S.H.C.S. (FRONT COVER)
203	5	CON-ROD	420	50	S.H.C.S. (CYLINDER END CAP)
204	10	PISTON RETAINING HALF RING	422	5	S.H.C.S. (VALVE END CAP)
205	2	CON-ROD RETAINING RING	426	2	BONDED SEAL
206	5	RESTRICTOR SCREW	435	2	DRAIN PLUG
208	1	DRUM	452	1	SMALL DISP. PISTON SEAL RING
209	1	LARGE DISPLACEMENT PISTON	453	1	LARGE DISP. PISTON SEAL RING
210	1	SMALL DISPLACEMENT PISTON	454	6	SHAFT SEAL RING
211	1	REAR SPACER PLATE	456	1	PLUG
212	1	SPRING	471	3	SHAFT SEAL BACKING RING
253*	1	SHAFT SLEEVE	474	2	O-RING (S03 & S04 VLV. HSG. PORTS)
254*	1	FRONT SPACER PLATE	475	1	O-RING (SPACER SURROUND)
301	1	VALVE SPOOL	482	1	O-RING (VALVE HOUSING SURROUND)
303	1	OLDHAMS COUPLING	483	5	PISTON SEAL BACKING RING
305	-	SHIM (STEEL)	484	1	CUSTOMER KEY
401	1	REAR BEARING	487	1	PLASTIC PLUG
402	1	FRONT BEARING	*499	5	O-RING RETAINER (SHORT)
404	5	PISTON SEAL RING	767	1	KEEP PLATE
405	12	VALVE SEAL RING	768	1	HEX HEAD SCREW

* WHERE FITTED

THIRD ANGLE PROJECTION	NAME	DATE	 Staffa Products <small>Ernesettle, Plymouth PL5 2SA www.kpm-eu.com</small>
	DR. M.NORMAN	18.07.07	
	CHK. F.STANTON	26.11.07	
	ENGR. APPVL.		
	WT.		
ALL TECHNICAL DATA DISCLOSED HEREIN IS THE PROPERTY OF KAWASAKI AND SHALL NOT BE USED BY OTHERS FOR MANUFACTURE, PROCUREMENT OR DISCLOSURE WITHOUT THE WRITTEN PERMISSION OF THE OWNER.			TITLE GENERAL ASSEMBLY (FOR SPARES) HMC/HPC MOTOR (030-200)
SIZE A1	SCALE NTS	DRAWING No. 016318	SHEET 1 of 1