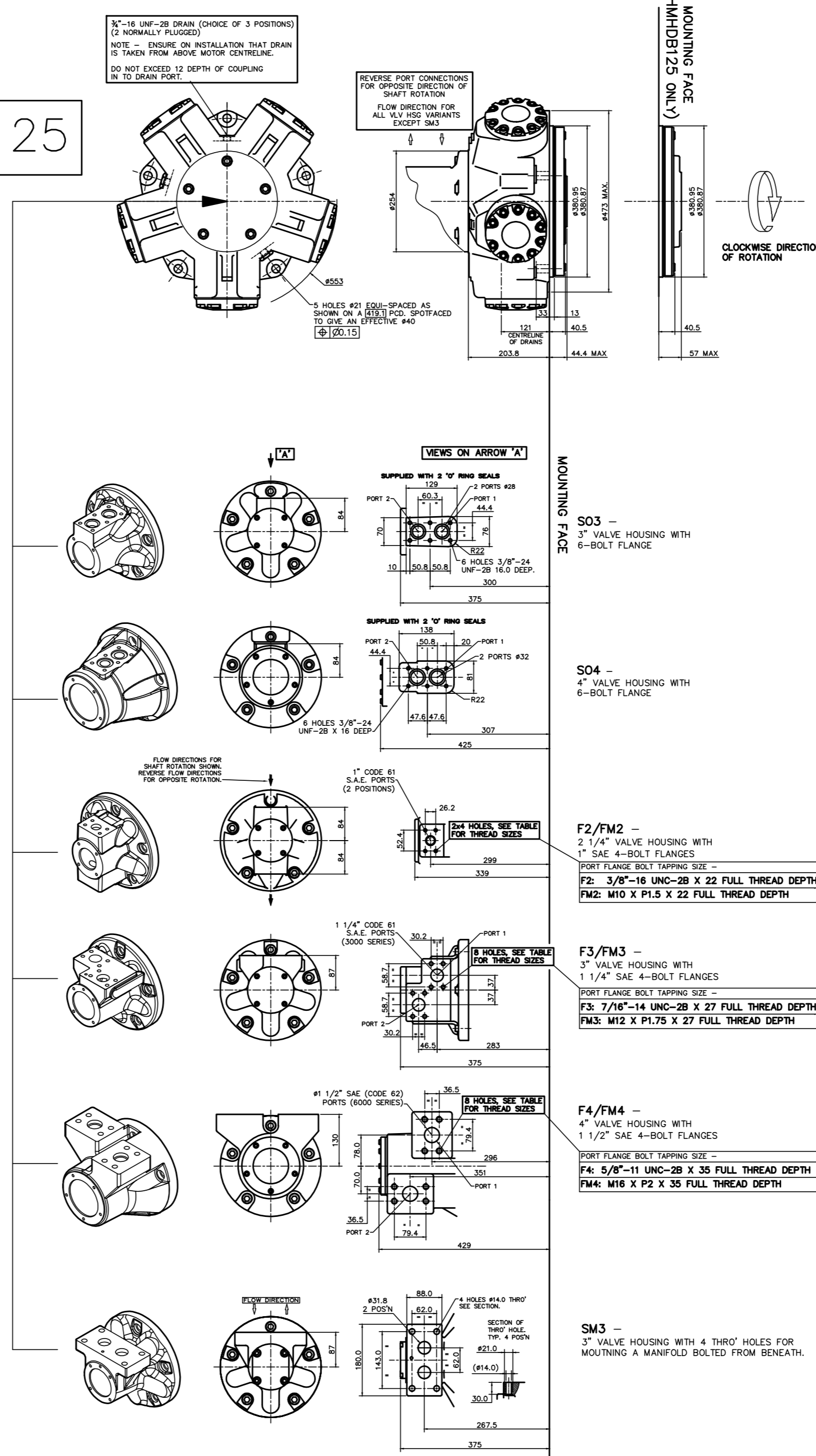


HMB/HMHDB125

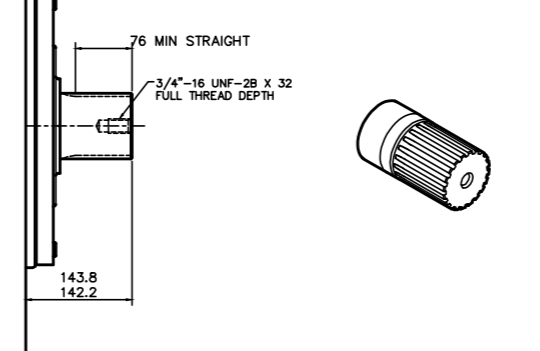
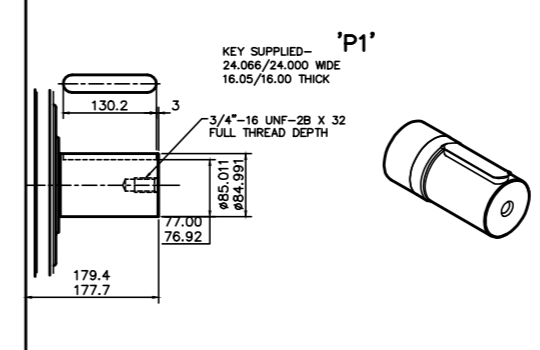
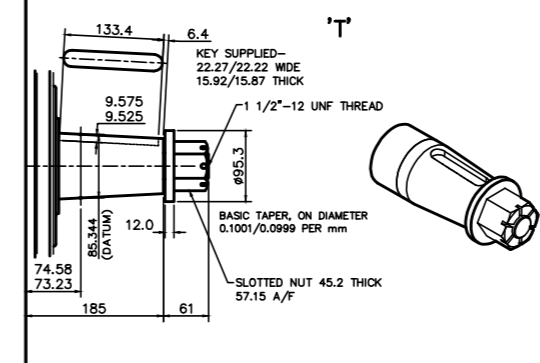
VALVE HOUSINGS

EXAMPLE FOR MODEL CODE - HMB125/S/FM3/70



HMB SHAFTS

EXAMPLE FOR MODEL CODE - HMB125/P1/FM3/70



SPLINE DATA

'S3'
 TO BS 3550 (ANSI B92.1, CLASS 5)
 FLAT ROOF SIDE FIT, CLASS 1
 PRESSURE ANGLE 30°
 NUMBER OF TEETH 30
 PITCH 6/12
 MAJOR DIAMETER 87.953/87.825
 FORM DIAMETER 80.264
 MINOR DIAMETER 79.485/78.925
 PIN DIAMETER 61.128
 DIAMETER OVER PINS 97.084/97.030

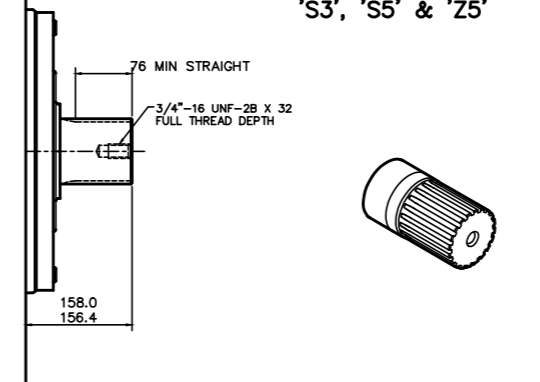
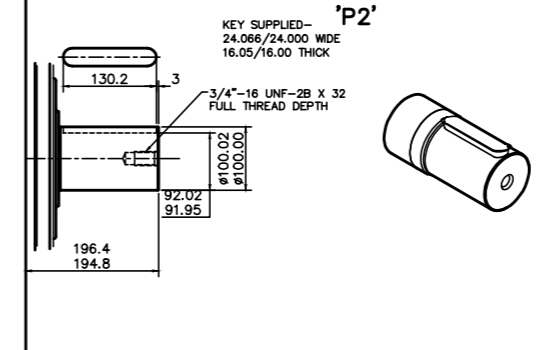
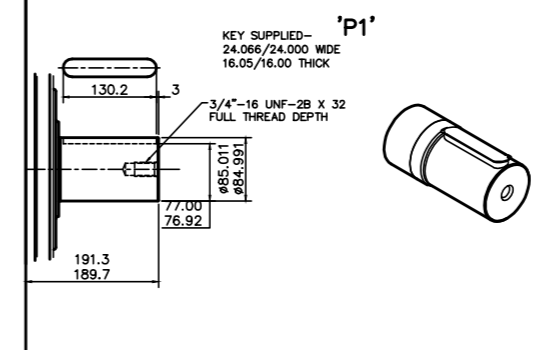
'S4'
 PRESSURE ANGLE 30°
 NUMBER OF TEETH 16
 PITCH 9/10
 MAJOR DIAMETER 86.360/86.233
 FORM DIAMETER 80.939
 MINOR DIAMETER 74.937/72.39
 PIN DIAMETER 61.128
 DIAMETER OVER PINS 92.710/92.581

'Z3'
 DIN 5480 BMS x 3 x 27 x 7h

NOTE: HOLDING MOTORS WITH 26.2mm DIAMETER HOLE THROUGH MOTOR (e.g. HMHDB125/P1/254/700). AVAILABLE WITH OR WITHOUT HOUSINGS ONLY. CONSULT P/MAK FOR DETAILS.

HMHDB SHAFTS

EXAMPLE FOR MODEL CODE - HMHDB125/P1/FM3/70



SPLINE DATA

'S3'
 TO BS 3550 (ANSI B92.1, CLASS 5)
 FLAT ROOF SIDE FIT, CLASS 1
 PRESSURE ANGLE 30°
 NUMBER OF TEETH 30
 PITCH 6/12
 MAJOR DIAMETER 87.953/87.825
 FORM DIAMETER 80.264
 MINOR DIAMETER 79.485/78.925
 PIN DIAMETER 61.128
 DIAMETER OVER PINS 97.084/97.030

'S5'
 PRESSURE ANGLE 30°
 NUMBER OF TEETH 25
 PITCH 9/12
 MAJOR DIAMETER 100.852/100.526
 FORM DIAMETER 93.939
 MINOR DIAMETER 92.194/91.626
 PIN DIAMETER 61.128
 DIAMETER OVER PINS 109.575/109.517

'Z5'
 DIN 5480 M100 x 4 x 24 x 7h

NOTE: HOLDING MOTORS WITH 26.2mm DIAMETER HOLE THROUGH MOTOR (e.g. HMHDB125/P1/254/700). AVAILABLE WITH OR WITHOUT HOUSINGS ONLY. CONSULT P/MAK FOR DETAILS.

