

HMB100

VALVE HOUSINGS

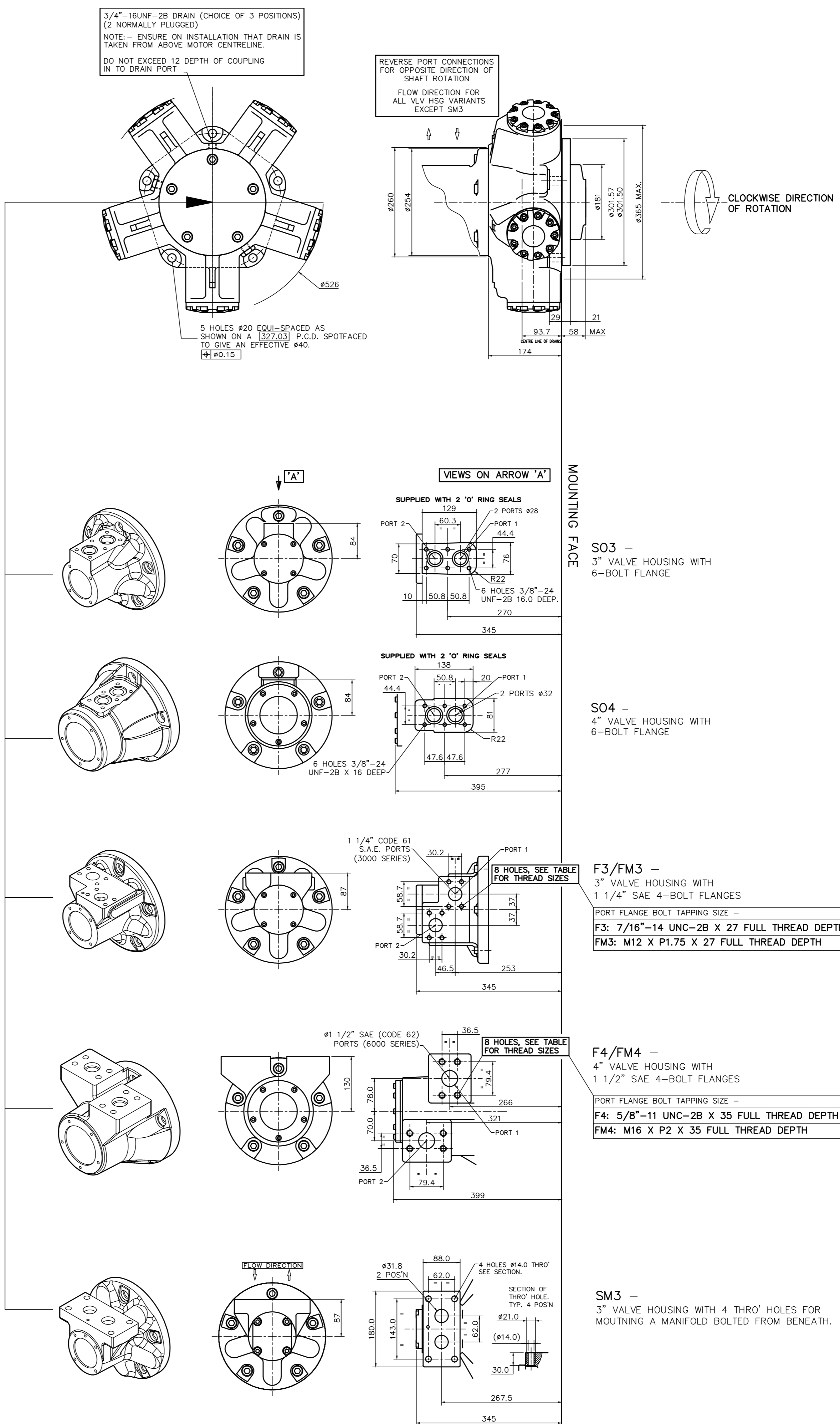
EXAMPLE FOR MODEL CODE -
HMB100/P/FM3/70

3/4"-16UNF-2B DRAIN (CHOICE OF 3 POSITIONS)
(2 NORMALLY PLUGGED)
NOTE: - ENSURE ON INSTALLATION THAT DRAIN IS
TAKEN FROM ABOVE MOTOR CENTRELINE.
DO NOT EXCEED 12 DEPTH OF COUPLING
IN TO DRAIN PORT

REVERSE PORT CONNECTIONS
FOR OPPOSITE DIRECTION OF
SHAFT ROTATION
FLOW DIRECTION FOR
ALL VLV HSG VARIANTS
EXCEPT SM3

CLOCKWISE DIRECTION
OF ROTATION

5 HOLES #20 EQUI-SPACED AS
SHOWN ON A 1327.03 P.C.D. SPOTFACED
TO GIVE AN EFFECTIVE #40.
±0.15



MOUNTING FACE

S03 -
3" VALVE HOUSING WITH
6-BOLT FLANGE

S04 -
4" VALVE HOUSING WITH
6-BOLT FLANGE

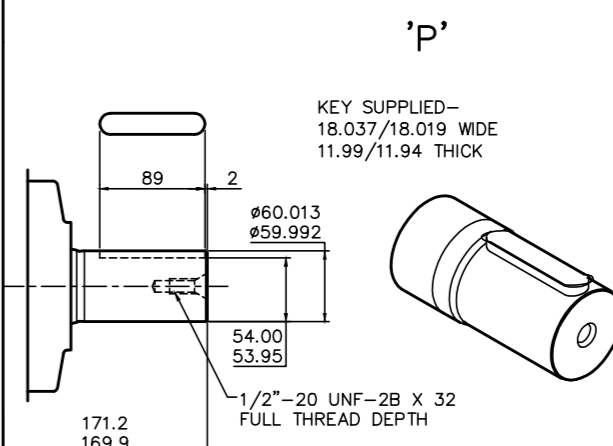
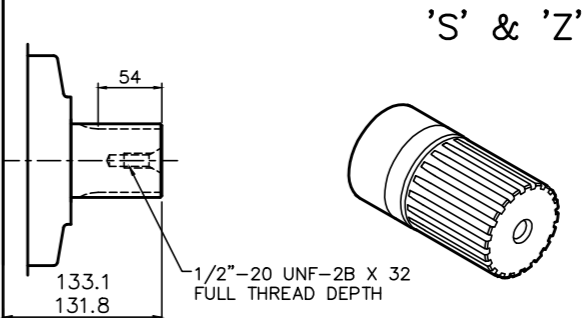
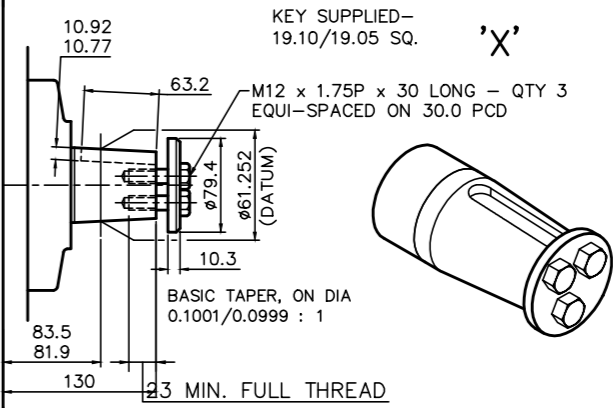
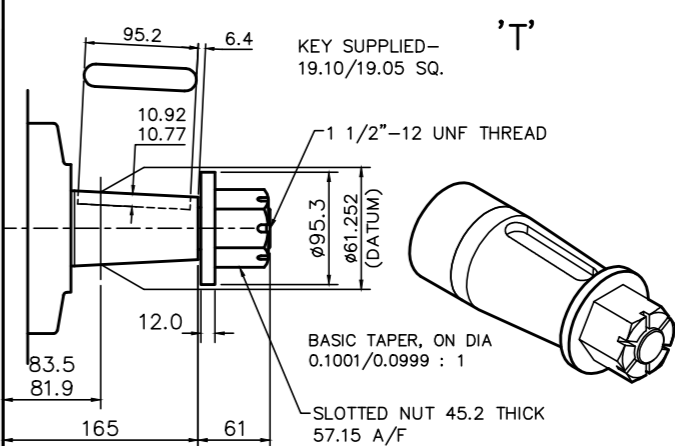
F3/FM3 -
3" VALVE HOUSING WITH
1 1/4" SAE 4-BOLT FLANGES
PORT FLANGE BOLT TAPPING SIZE -
F3: 7/16"-14 UNC-2B X 27 FULL THREAD DEPTH
FM3: M12 X P1.75 X 27 FULL THREAD DEPTH

F4/FM4 -
4" VALVE HOUSING WITH
1 1/2" SAE 4-BOLT FLANGES
PORT FLANGE BOLT TAPPING SIZE -
F4: 5/8"-11 UNC-2B X 35 FULL THREAD DEPTH
FM4: M16 X P2 X 35 FULL THREAD DEPTH

SM3 -
3" VALVE HOUSING WITH 4 THRO' HOLES FOR
MOUNTING A MANIFOLD BOLTED FROM BENEATH.

SHAFTS

EXAMPLE FOR MODEL CODE -
HMB100/P/FM3/70



NOTE -
HOLLOW MOTORS WITH 26.2mm
DIAMETER HOLE THROUGH MOTOR
(e.g. -HMB080/FP/S04/70)
AVAILABLE WITH S04 VALVE
HOUSINGS ONLY. CONSULT KPMUK
FOR DETAILS.

SPLINE DATA

'S'	TO BS 3550 (ANSI B92.1 CLASS 5) FLAT ROOT SIDE FIT, CLASS 1 PRESSURE ANGLE 30° NUMBER OF TEETH 14 PITCH 6/12 MAJOR DIAMETER 62.553/62.425 FORM DIAMETER 55.052 MINOR DIAMETER 54.084/53.525 PIN DIAMETER 8.128 DIAMETER OVER PINS 71.593/71.544
'Z'	DIN 5480 W70 x 3 x 30 x 22 x 7h

MOUNTING FACE